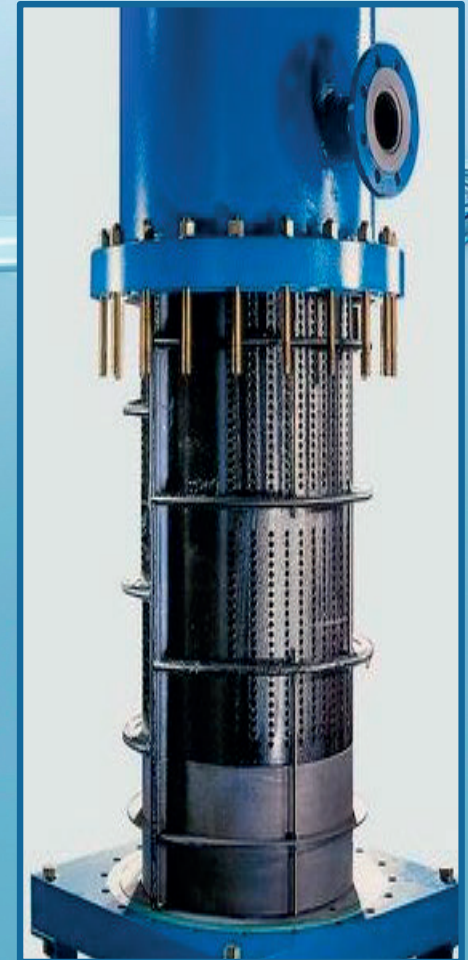
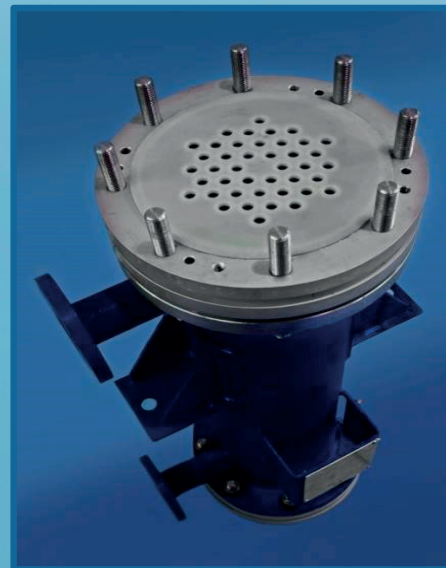




CRP now offers complete Corrosion Resistant Solutions

Our range now includes –
a range of Heat Exchangers,
Vessels, Columns and
Special column internals

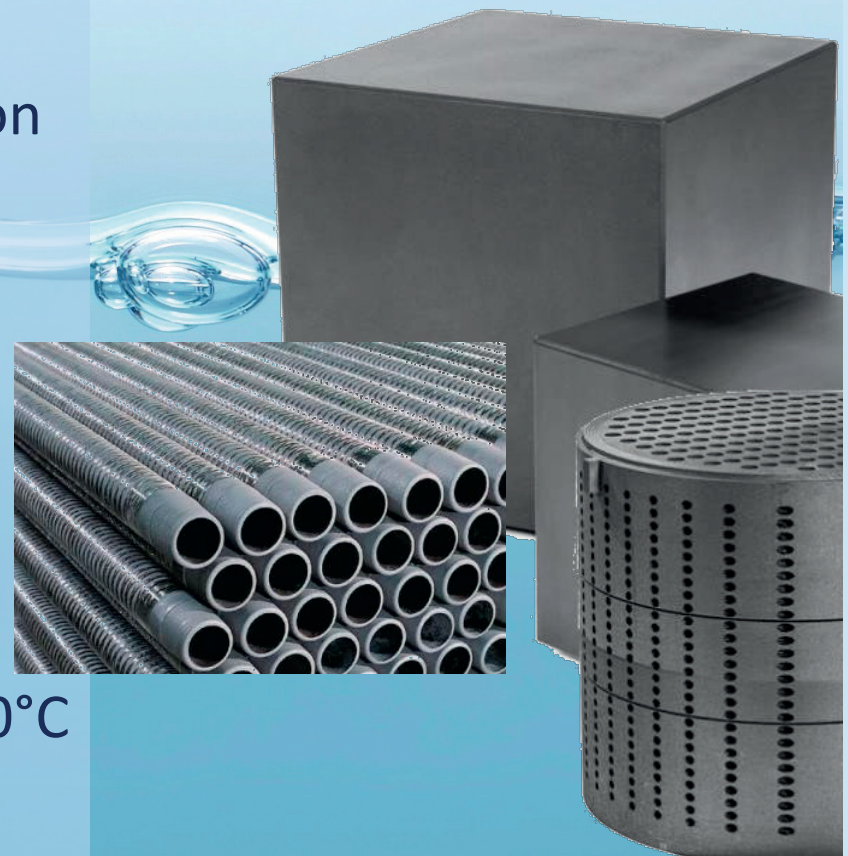


DIABON Properties:

- ✓ All DIABON Graphite grades are fully graphitized which gives better corrosion resistance and better heat transfer!

This sets us apart from our competitors.

- ✓ DIABON is fully impregnated before machining!
- ✓ High Performance DIABON available with higher graphite content, max. 220°C
- ✓ DIABON Graphite is FDA approved

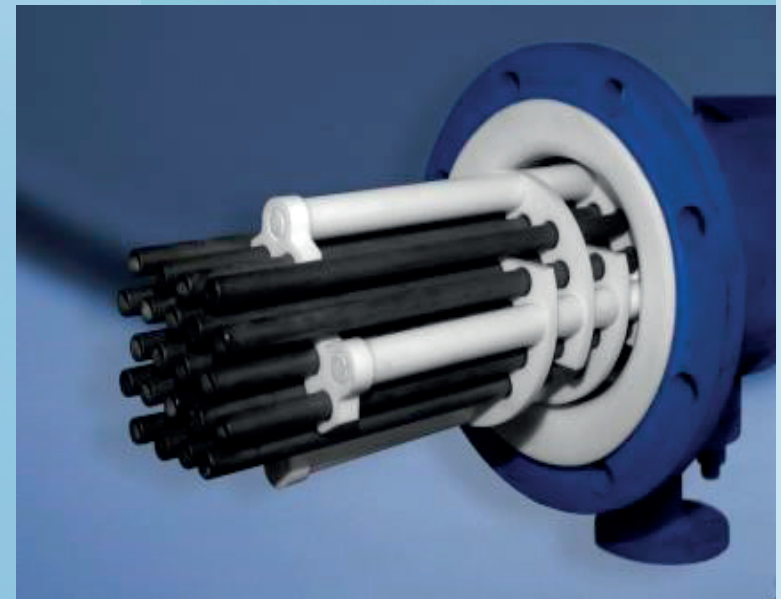


SICABON Properties:

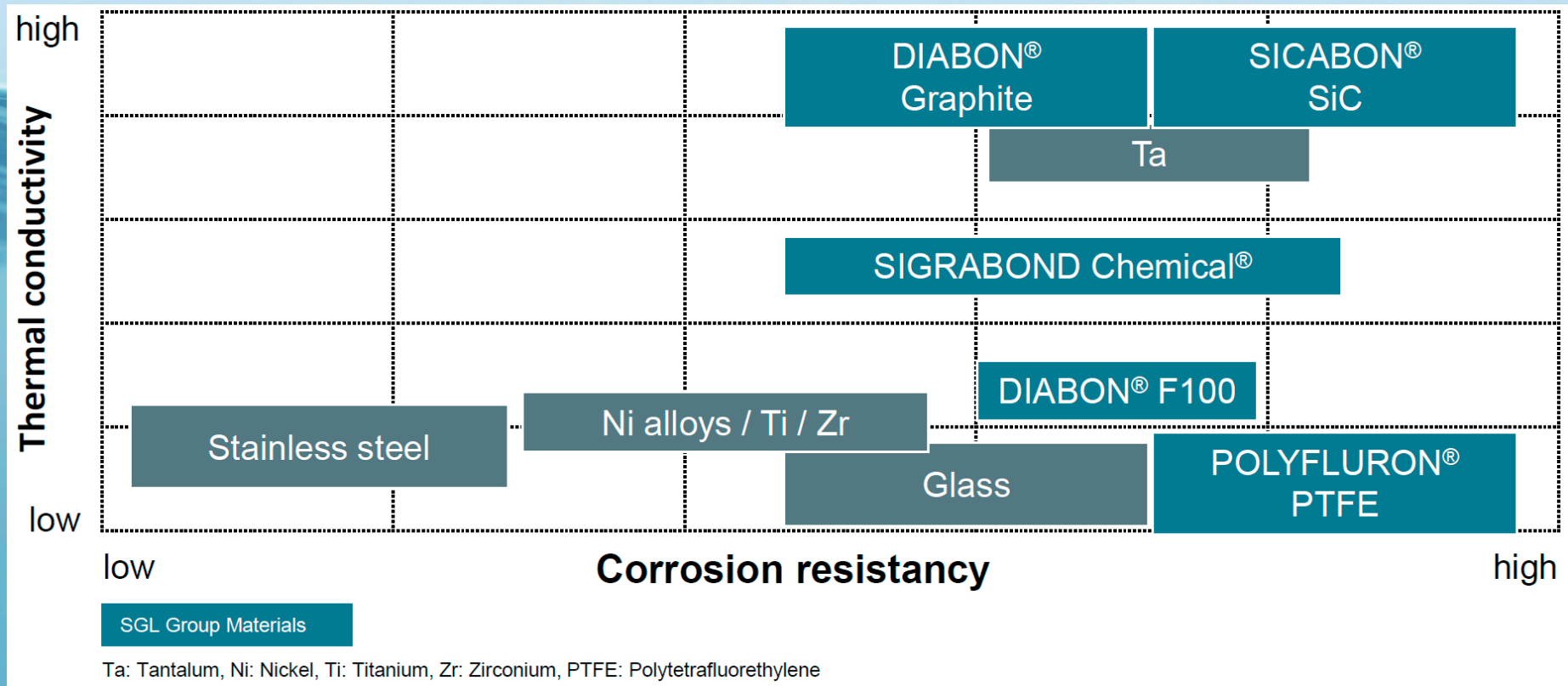
- ✓ SICABON tubes are directly sintered and do not have any free silicon.

They offer universal corrosion resistance!

- ✓ Tubes exclusively made in the USA!
- ✓ Tubes pressure tested at 180barg
- ✓ Abrasion resistant material
- ✓ Highest thermal conductivity leads to smallest heat exchangers!

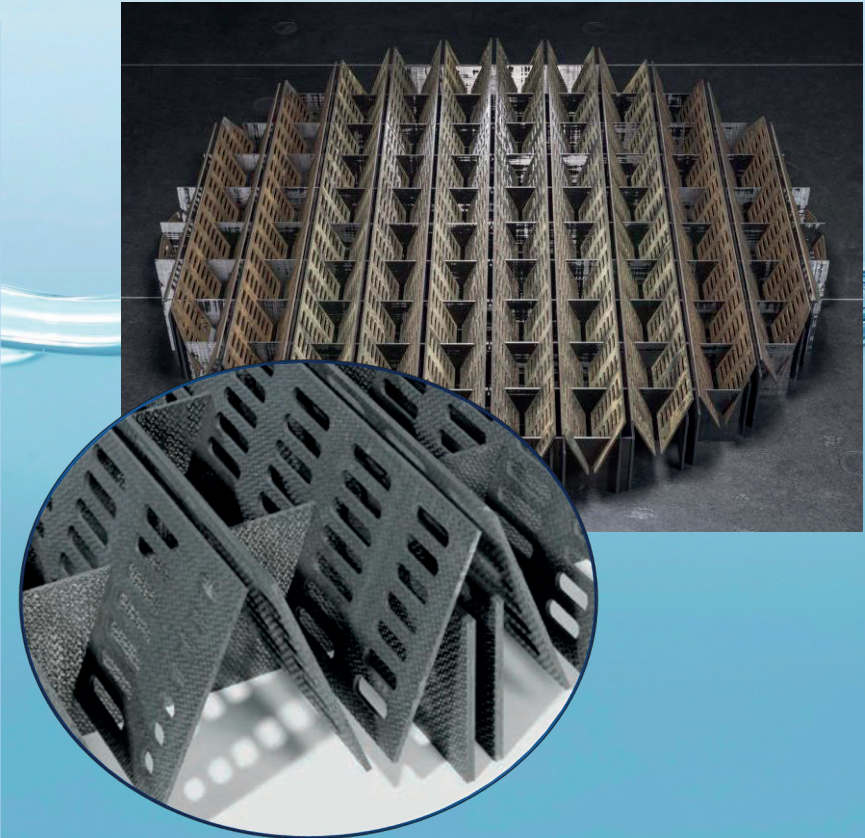


Corrosion Resistant and Highest Thermal Conductivity



SIGRABOND Properties:

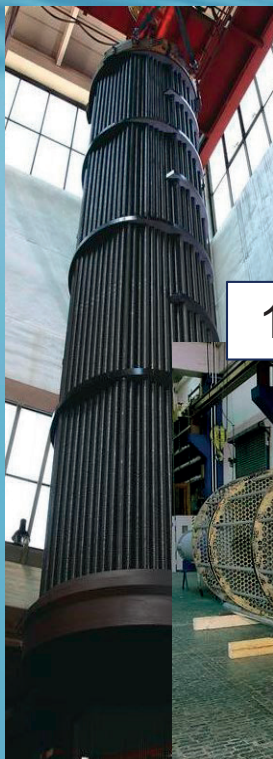
- ✓ SIGRABOND Composite material provides outperforming strength together with excellent corrosion resistance!
- ✓ The perfect material for dip pipes, column internals, support grids & distributors!



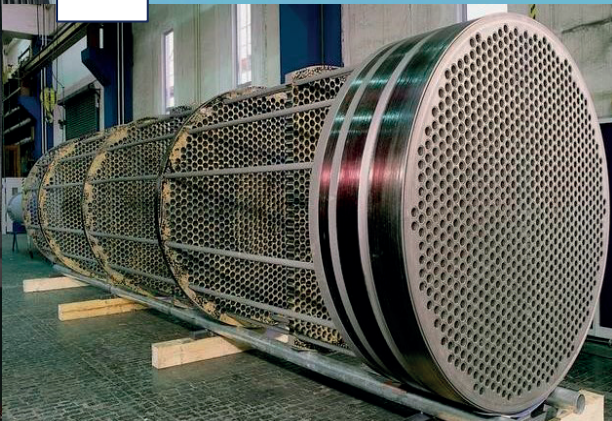
Graphite Heat Exchangers:

Different Types and their specifications:

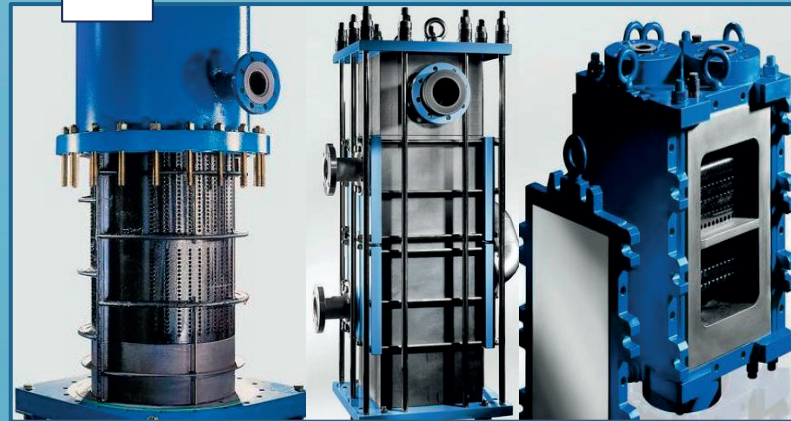
	Diameter (mm)	Length	Surface area	max. Temp.	max. Pressure	Image
Shell & Tube	dia. 200 - 2000	up to 6m	0.5 - 1500m ²	200°C	6 barg std. max 12	1
Block HX	Round / Cubic / Monolithic		up to (m2): 850/150/46	220°C	6 - 11.7	2
Plate HX	230 to 675 wide	0.9 - 2m	up to 60m ² equals 150m ² on block HX	200°C	7 to 8 barg	3
Plate HX w. PVDF content	230 to 570 wide	0.35 - 1.7m	4 to 50m ²	140°C	7 to 8 barg	4



1



2



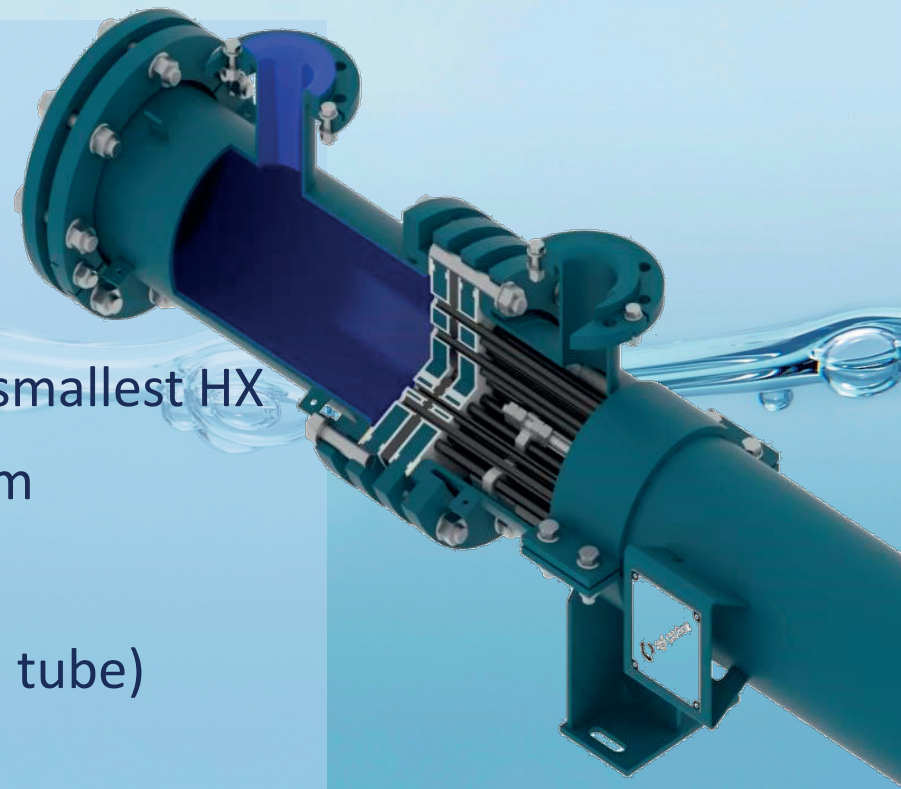
3&4



Silicon Carbide Heat Exchangers:

Key Facts:

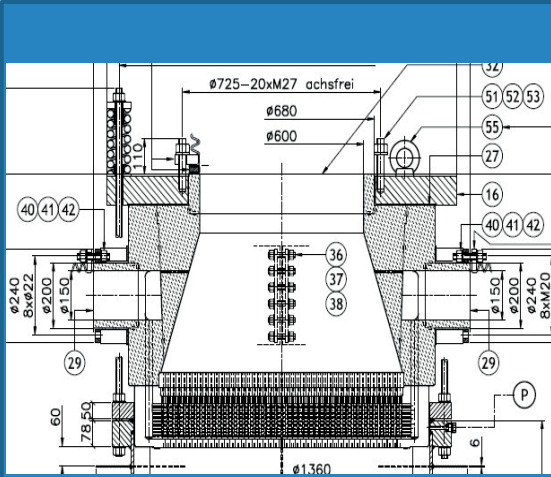
- ✓ Universally corrosion resistant!
- ✓ Double FFKM (Kalrez) sealing
- ✓ Abrasion resistant!
- ✓ Tubes pressure tested at 180 barg
- ✓ Highest thermal conductivity leads to smallest HX
- ✓ Tube sizes 14 x 1,5 mm / 19 x 2,2 mm
- ✓ Heat transfer area: 0,22 – 33,6 m²
- ✓ Max. tube count: 176 / 107 (19mm tube)
- ✓ Max. shell diameter: DN400
- ✓ Max. tube length: 4500 mm
- ✓ Max. operation temperature 200 °C
- ✓ Max. operation pressure -1/10 barg



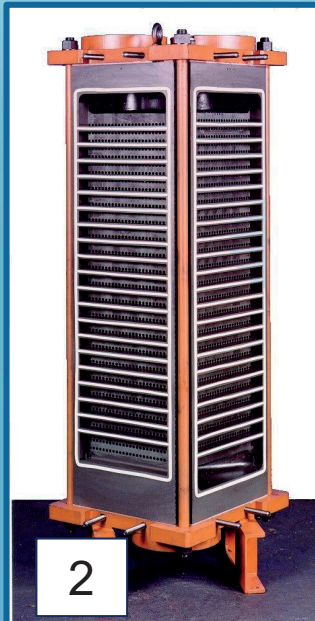
Graphite Heat Exchangers:

Specials:

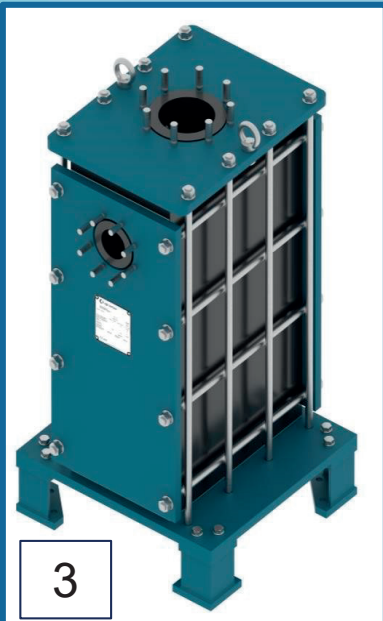
- ✓ DIABON Fall Film heat exchangers (1)
- ✓ KU-Type Block HX especially for GMP, Food & Pharma applications (2)
- ✓ Gasket free DIABON Groove –HX (3)
- ✓ DIABON Quenches (4)



1

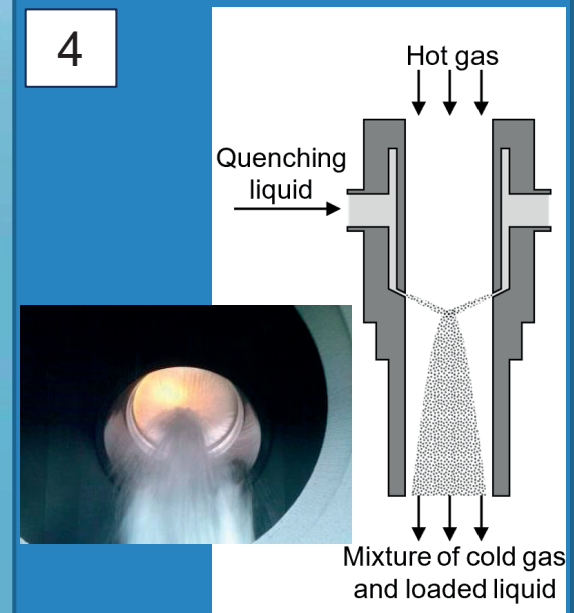


2



3

4



Corrosion Resistant Columns & Vessels:

PTFE & PFA lined Column (1)
available up to 0.5m & 2m dia.



DIABON Column (2)
available up to 2.8m dia.



Graphite Pumps:

CARBON axial flow pumps:

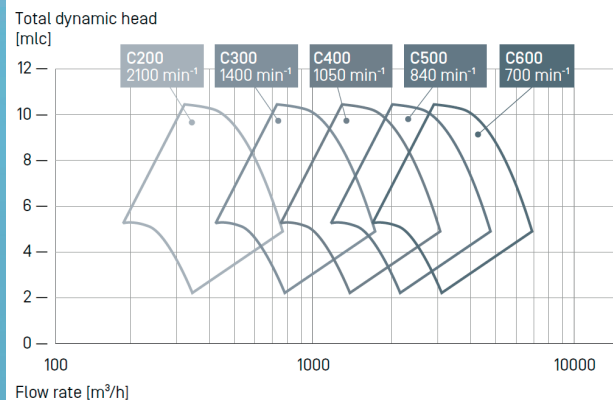
Use the corrosion resistance of the DIABON-Graphite material also for your pumps!

Data of graphite axial flow pump

Technical specification	Units	Type C200 to C600
Propeller diameters	mm	from 200 to 600
Flow directions		top suction or end suction
Flow rates	m ³ /h	from 120 to 5500
Total Dynamic Heads	m/c	up to 10
Rotation speeds	min ⁻¹	from 500 to 2100
Operating temperatures	°C	from -40 to +200
Design pressures	barg	up to 10
Flanges standards		ISO PN metric, ANSI 150 lbs metric, ANSI 150 lbs UNC
Materials		DIABON® graphite, DURABON®, SIGRASIC®
Sealing technologies		component or cartridge mechanical seals (balanced single or double, tandem)

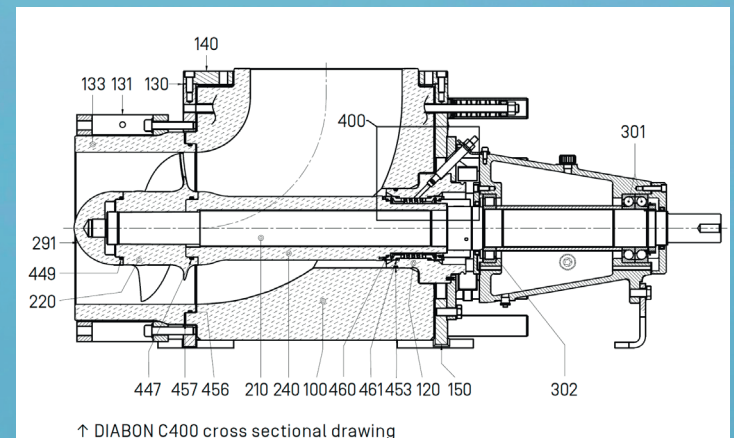


Graphite axial flow pumps performance chart

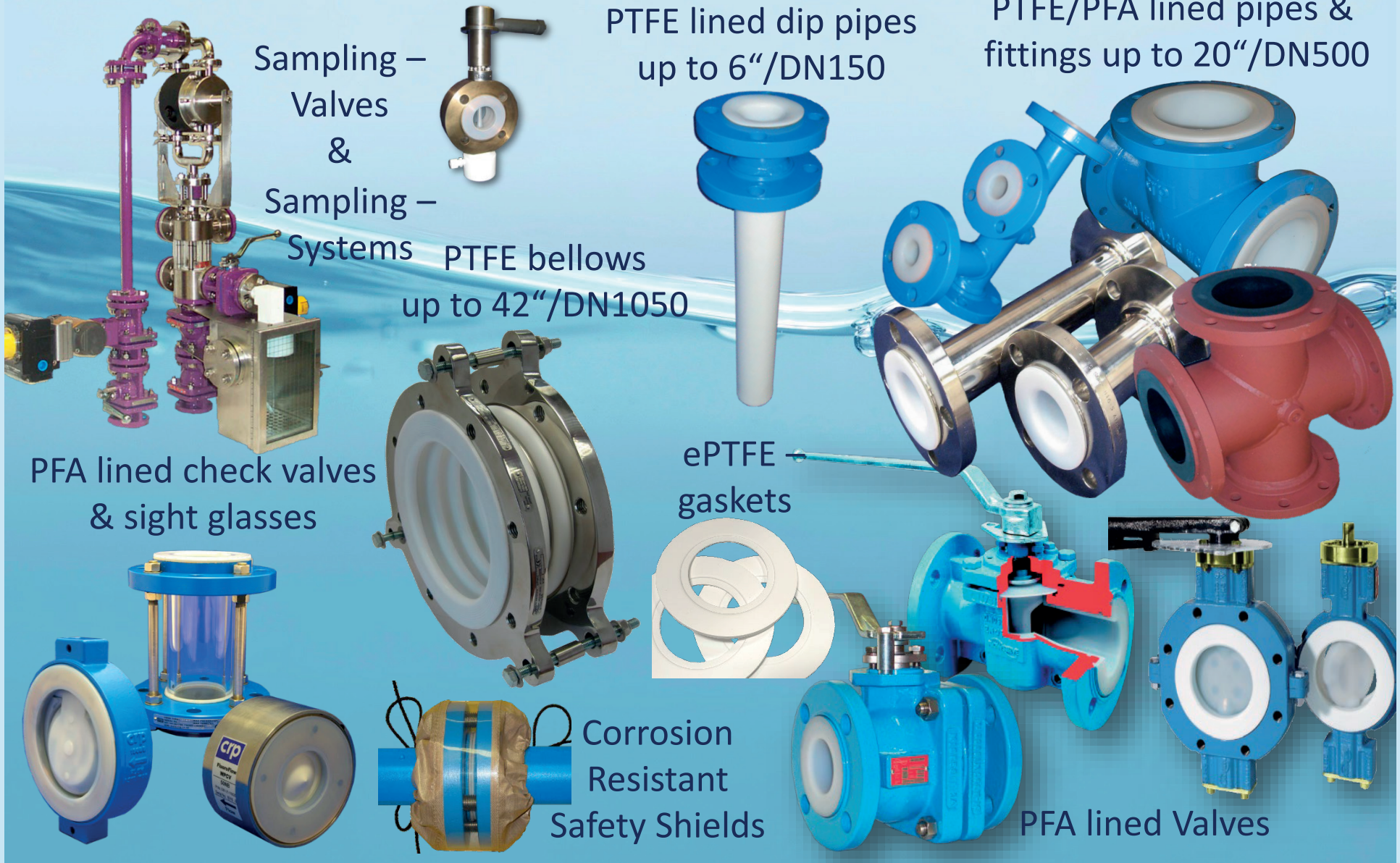


Typical graphite axial flow pump – bill of material

Item	Description	Material
100	elbow housing	DIABON, DURABON
120	seal casing	DIABON, DURABON
130/131		
140/150	flanges	steel, stainless steel
133	wearing sleeve	DIABON, DURABON, SIGRASIC
210	shaft	carbon steel
220	propeller 0°	DIABON, DURABON, SIGRASIC
240	shaft sleeve	DIABON, DURABON
291	propeller nose	DIABON
301/301	bearings	steel
400	mechanical seal	SiC-SiC, SiC-Carbon
447/449/456		
453/460/461	O-rings	FKM, FFKM
457	gasket	SIGRAFLEX®



CRP lined Piping Products:



Sampling –
Valves
&
Sampling –
Systems



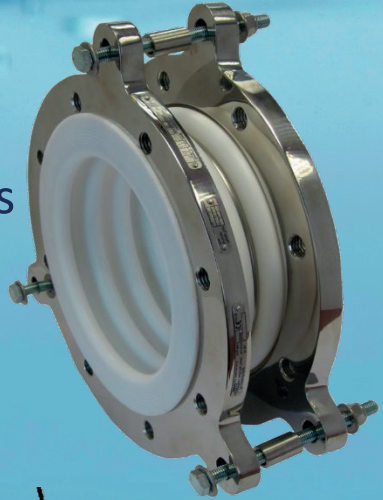
PTFE lined dip pipes
up to 6"/DN150



PTFE/PFA lined pipes &
fittings up to 20"/DN500



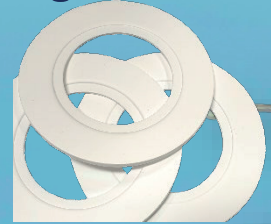
PTFE bellows
up to 42"/DN1050



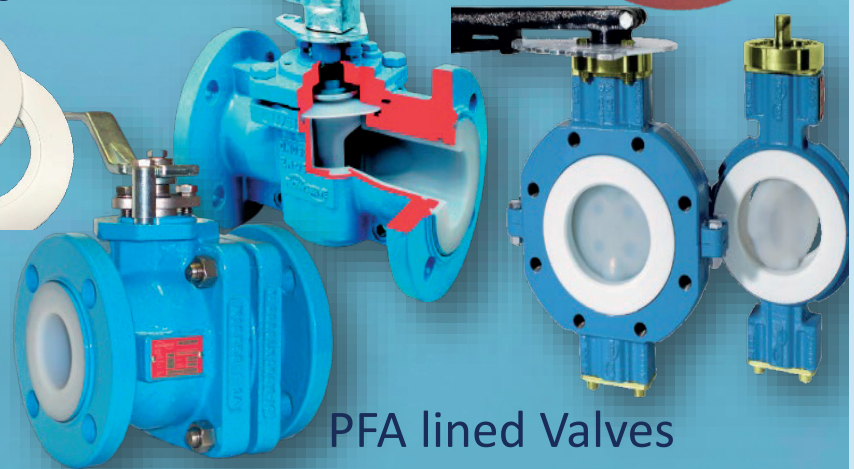
PFA lined check valves
& sight glasses



ePTFE
gaskets



Corrosion
Resistant
Safety Shields



PFA lined Valves



Contact us:

CRP LIMITED

Todmorden Rd., Littleborough,
OL15 9EG United Kingdom

tel: +44 (0)1706 756400

fax: +44 (0)1706 379567

email: enquiry@crp.co.uk

www.crp.co.uk

www.ptfebellows.com