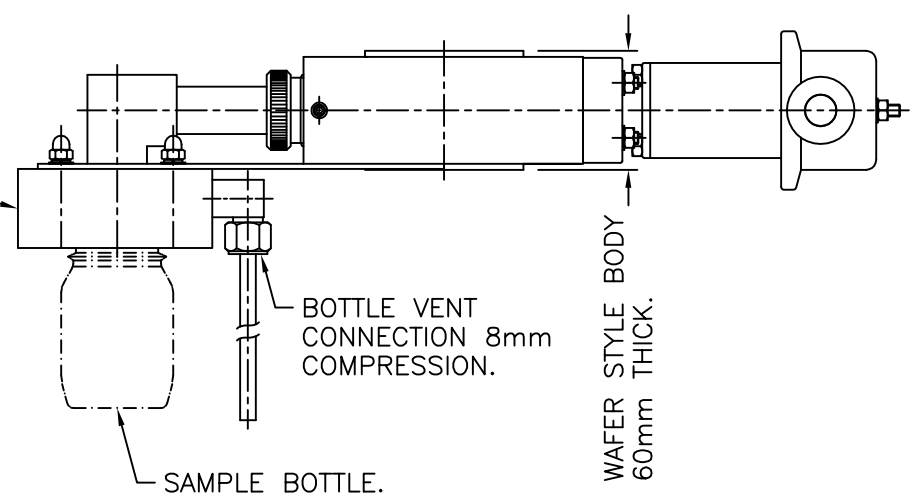


PTFE THREADED BOTTLE CONNECTOR.



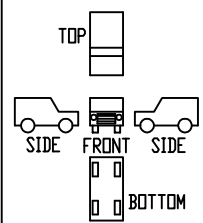
P.C.D. TO SUIT DIN PN16 OR ASME 150lb FLANGES.

SAMPLE BOTTLE.

WAFFER STYLE BODY
60mm THICK.

OPERATING DATA	VALVE TYPE	
		SD-IL-300 316L St/St
PRESSURE	16 bar Max	10 bar Max
TEMPERATURE	-29 to +200°C	-29 to +180°C

6"ASME 150lb	288 mm	571 mm
4"ASME 150lb	259 mm	516 mm
3"ASME 150lb	244 mm	485 mm
2½"ASME 150lb	237 mm	470 mm
2"ASME 150lb	226 mm	442 mm
1½"ASME 150lb	218 mm	433 mm
1"ASME 150lb	200 mm	395 mm
VALVE SIZE	'L' mm	OVERALL mm



THIS DRAWING IS DRAWN USING THIRD ANGLE PROJECTION

TITLE: G.A. SD-IL-300/400 VERTICALLY MOUNTED SAMPLING DEVICE WITH THREADED BOTTLE CONNECTOR
PART NO:

crp
the corrosion expert
CRP
Todmorden Road
Littleborough
OL15 9EG
www.crp.co.uk
Tel: +44(0)1706 756400 Fax: +44(0)1706 379567

PROJECTION DRG. PRACTICE TO B.S.308 DIMENSIONS IN mm U.O.S. UNSPECIFIED TOL. ±3

DRAWN TB 04/2/08
APP'D . 04/2/08
SCALE NTS A3

DRG.NO: SDD371 REV. 01

REV	TEMPERATURE RANGE	PTB	DATE
01	CHANGE	SIG	19.9.20