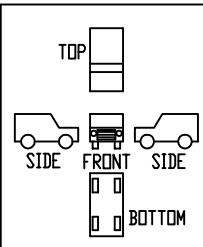
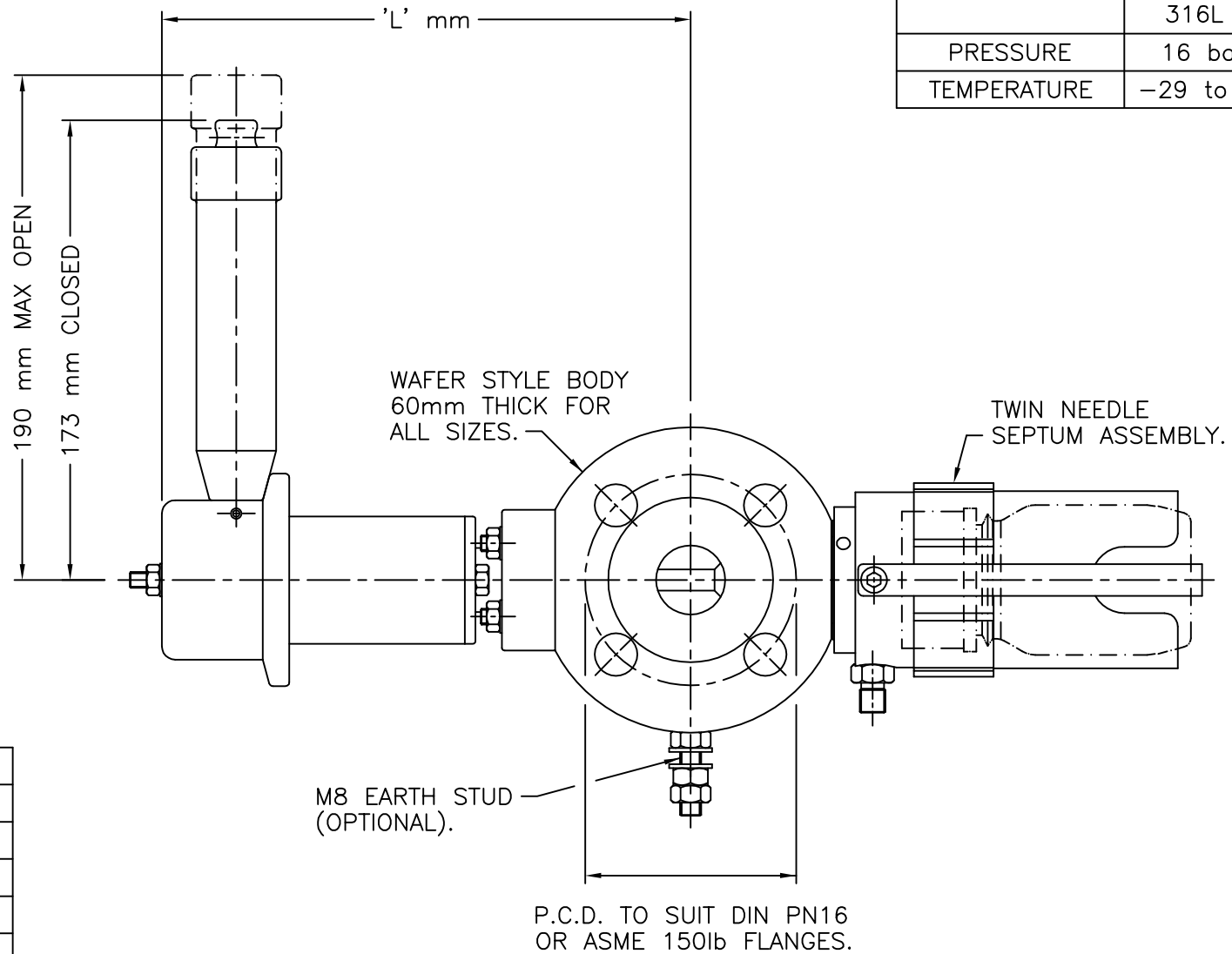


OPERATING DATA	VALVE TYPE	
		SD-IL-300 316L St/St
PRESSURE	16 bar Max	10 bar Max
TEMPERATURE	-29 to +200°C	-29 to +180°C



6"ASME 150lb	288 mm
4"ASME 150lb	259 mm
3"ASME 150lb	244 mm
2½"ASME 150lb	237 mm
2"ASME 150lb	226 mm
1½"ASME 150lb	218 mm
1"ASME 150lb	200 mm
VALVE SIZE	'L' mm

THIS DRAWING IS DRAWN USING THIRD ANGLE PROJECTION

TITLE: G.A. SD-IL-300/400  
SAMPLING DEVICE  
WITH SEPTUM ASSEMBLY

01	TEMPERATURE RANGE	PTB	19.9.20
REV	CHANGE	SIG	DATE

**crp**  
the corrosion expert  
CRP  
Todmorden Road  
Littleborough  
OL15 9EG  
www.crp.co.uk  
Tel: +44(0)1706 756400 Fax: +44(0)1706 379567

PROJECTION DRG. PRACTICE TO B.S.308  
DIMENSIONS IN mm U.O.S.  
UNSPECIFIED TOL. ±3

DRAWN TB 04/2/08  
APP'D . 04/02/08  
SCALE NTS A3

PART NO:  
DRG.NO: SDD369  
REV. 01