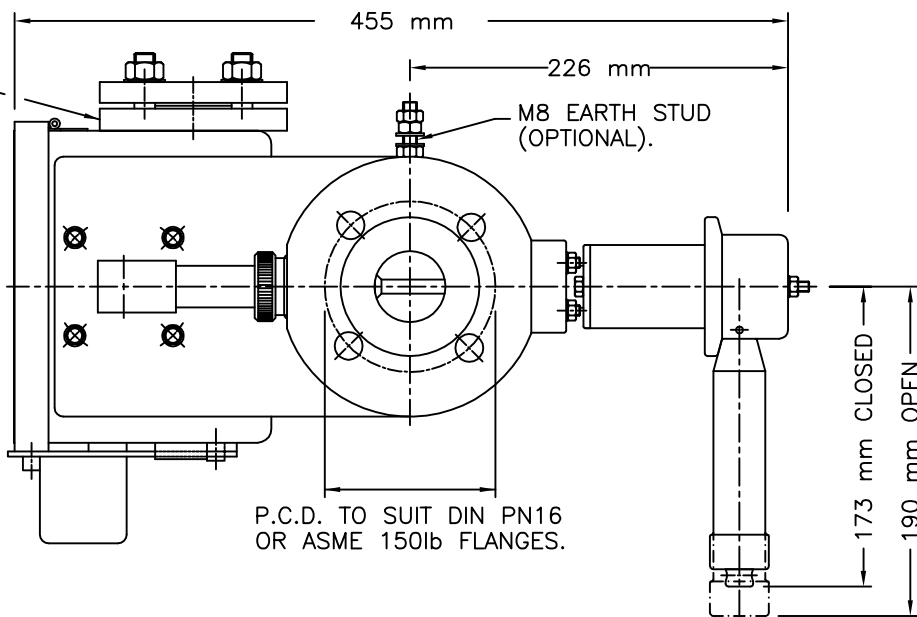


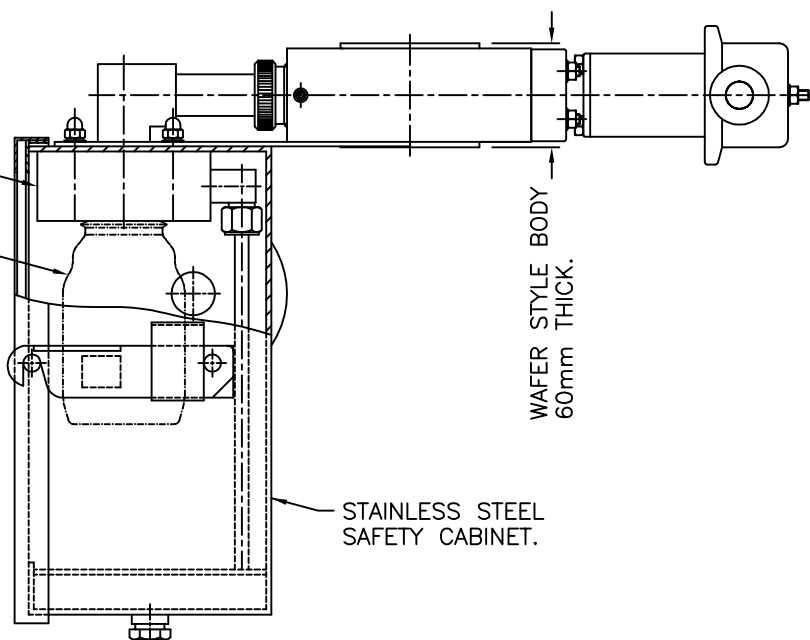
1"ASME 150lb
CABINET VENT FLANGE.



P.C.D. TO SUIT DIN PN16
OR ASME 150lb FLANGES.

PTFE THREADED
BOTTLE CONNECTOR.

SAMPLE BOTTLE.

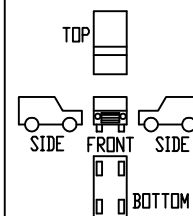


WAFER STYLE BODY
60mm THICK.

STAINLESS STEEL
SAFETY CABINET.

OPERATING DATA	VALVE TYPE	
		SD-IL-300 316L St/St
PRESSURE	16 bar Max	10 bar Max
TEMPERATURE	-29 to +200°C	-29 to +180°C

6"ASME/DN150	288 mm	584 mm
4"ASME/DN100	259 mm	529 mm
3"ASME/DN80	244 mm	498 mm
2½"ASME/DN65	237 mm	483 mm
2"ASME/DN50	226 mm	455 mm
1½"ASME/DN40	218 mm	446 mm
1"ASME/DN25	200 mm	408 mm
VALVE SIZE	'L' mm	OVERALL mm



THIS DRAWING IS DRAWN USING THIRD ANGLE PROJECTION


TITLE: G.A. SD-IL-300/400 VERTICALLY
MOUNTED SAMPLING DEVICE
WITH SAFETY CABINET

PART NO:	
DRG.NO:	SDD359
REV.	02



CRP
Todmorden Road
Littleborough
OL15 9EG
www.crp.co.uk

Tel: +44(0)1706 756400 Fax: +44(0)1706 379567

PROJECTION 
DRG. PRACTICE TO B.S.308
DIMENSIONS IN mm U.O.S.
UNSPECIFIED TOL. ±3

DRAWN	TB	04/2/08
APP'D	.	04/02/08
SCALE	NTS	A3

REV	CHANGE	SIG	DATE
02	TEMPERATURE RANGE	PTB	19.9.20
01	M8 EARTH STUD OPTION	PTB	4.2.08