
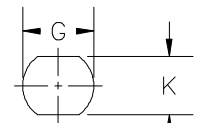
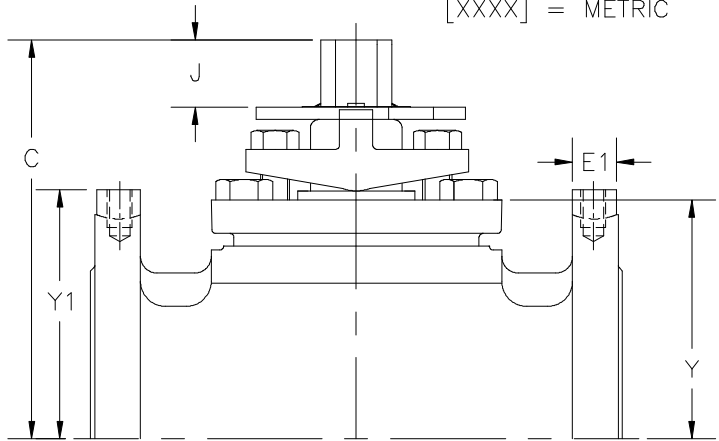
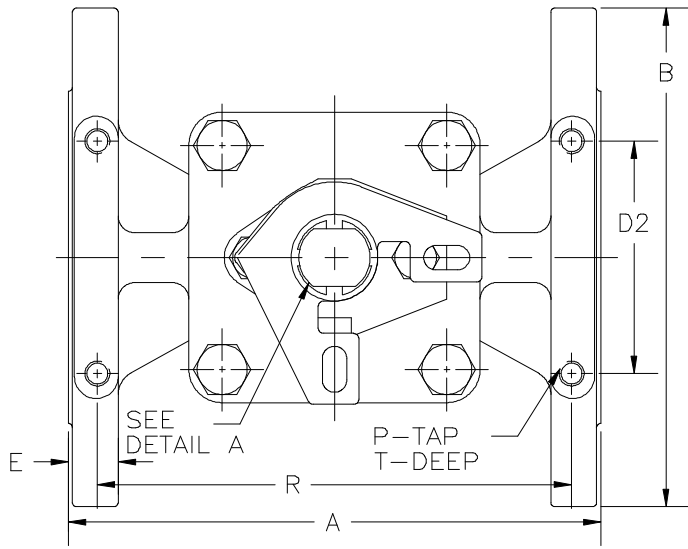


IDENTIFICATION NUMBER	 <b>FLOWSERVE</b> FLOWSERVE CORPORATION COOKEVILLE VALVE OPERATION COOKEVILLE, TN 38501	CERTIFIED FOR DIMENSIONS ONLY	SUBMITTED FOR CUSTOMER APPROVAL ONLY	NO.	DATE	REVISION	BY	
VP1451B		BY _____	CUSTOMER _____	13	6/26/01	REMOVED "SQ" FROM "K SQ."	CLR	
ISSUE NO. 14		CUSTOMER _____	ORDER NO. _____	13	6/28/01	ADDED DIMENSION CHANGE	AKL	
DESIGN PRINT	DRAWN BY P.D.S.	FLOWSERVE ORDER NO. _____	ITEM NO. _____					
STD DESIGN PRINT G411 & G431	CHECKED BY _____	DATE 12/21/76	APPROVED BY: _____ DATE _____					
			APPROVED EXCEPT AS NOTED	DO NOT RESUBMIT <input type="checkbox"/>				
			RESUBMIT CORRECTED DRAWING <input type="checkbox"/>					

NOTE: ADJUSTMENT "X" UP & DOWN

XXXX = ENGLISH  
 [XXXX] = METRIC

- NOTES:
1. ALL TOP CAP FASTENERS MUST HAVE A MIN. YIELD STRENGTH OF 40,000 P.S.I.
  2. STOP COLLAR TO BE REPLACED WITH SPECIAL POINTER WHEN MOUNTING ACTUATOR.



CONFIGURATION OF PLUG STEM TOP

DETAIL A

DIMENSIONS SHOWN ARE NOMINAL DIMENSIONS. FOR TOLERANCED DIMENSIONS, CONSULT THE FACTORY. CERTAIN VALVE FEATURES MAY NOT BE SHOWN PICTORIALLY. CONSULT FACTORY IF DESIGN OF ATTACHMENT IS CONSIDERED. DRAWING NOT TO SCALE.

(13)

TYPE VALVE	VALVE SIZE	A		B		C		*	D2	E		E1		ØG	J		K		T	Y1		R		P
		150	300	150	300	150	300			150	300	150	300		150	300	150	300		150	300	150	300	
G411	1.00	5.00	6.50	4.25	4.88	3.72	.19	1.75		.44	.69	.63	.59	.787 [19.99]	.69	.656 [16.66]	.47	2.38	2.38	4.19	5.69			
G431	[25]	[127.0]	[165.1]	[108.0]	[123.8]	[94.5]	[4.8]	[44.5]		[11.1]	[17.5]	[15.9]	[15.1]	.782 [19.86]	[17.6]	.651 [16.54]	[11.9]	[60.3]	[60.3]	[106.4]	[144.5]			
G411	1.50	6.50	7.50	5.00	6.13	4.16	.19	1.75		.56	.81	.63	.72	.787 [19.99]	.75	.656 [16.66]	.47	2.63	3.19	5.63	6.56			
G431	[40]	[165.1]	[190.5]	[127.0]	[155.6]	[105.6]	[4.8]	[44.5]		[14.3]	[20.6]	[15.9]	[18.3]	.782 [19.86]	[19.1]	.651 [16.54]	[11.9]	[66.7]	[81.0]	[142.9]	[166.6]			
G411	2.00	7.00	8.50	6.00	6.50	4.75	.19	2.25		.63	.88	.63	.78	1.075 [27.31]	.81	.875 [22.23]	.47	3.13	3.38	6.19	7.50			
G431	[50]	[177.8]	[215.9]	[152.4]	[165.1]	[120.7]	[4.8]	[57.2]		[15.9]	[22.2]	[15.9]	[19.8]	1.070 [27.18]	[20.6]	.870 [22.10]	[11.9]	[79.4]	[85.7]	[157.2]	[190.5]			
G411	3.00	8.00	11.13	7.50	8.25	6.00	.19	3.50		.75	1.13	.63	1.00	1.075 [27.31]	1.00	.875 [22.23]	.56	3.88	4.25	7.13	9.88			
G431	[80]	[203.2]	[282.6]	[190.5]	[209.6]	[152.4]	[4.8]	[88.9]		[19.1]	[28.6]	[15.9]	[25.4]	1.070 [27.18]	[25.4]	.870 [22.10]	[14.3]	[98.4]	[108.0]	[181.0]	[250.8]			
G411	4.00	9.00	12.00	9.00	10.00	7.66	.25	4.00		.94	1.25	.81	1.13	1.687 [42.85]	1.38	1.421 [36.09]	.66	4.63	5.13	8.00	10.63			
G431	[100]	[228.6]	[304.8]	[228.6]	[254.0]	[194.5]	[6.4]	[101.6]		[23.8]	[31.8]	[20.6]	[28.6]	1.677 [42.60]	[34.9]	1.416 [35.97]	[16.7]	[117.5]	[130.2]	[203.8]	[269.9]			
G411	6.00	10.50	15.88	11.00	12.50	9.72	.25	4.00		1.00	1.44	.88	1.25	1.875 [47.63]	1.44	1.421 [36.09]	.66	5.63	6.38	9.44	14.25			
G431	[150]	[266.7]	[403.2]	[279.4]	[317.5]	[246.9]	[6.4]	[101.6]		[25.4]	[36.5]	[22.2]	[31.8]	1.865 [47.37]	[36.5]	1.416 [35.97]	[16.7]	[142.9]	[161.9]	[239.7]	[362.0]			