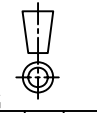


THIS DRAWING IS THE PROPERTY OF FLEX-RITE HOSE & COUPLINGS LTD AND MUST NOT BE COPIED OR DISCLOSED TO A THIRD PARTY WITHOUT THE WRITTEN CONSENT OF FLEX-RITE

Destroy all previous copies of this drawing

ISS	DATE	REMARKS
CKD		

FLEX-RITE & COUPLINGS LTD
WELLINGBOROUGH ENGLAND



DRAWN	T.B.	MATL
DATE	16.06.95	SPEC'N
SCALE		CKD BY

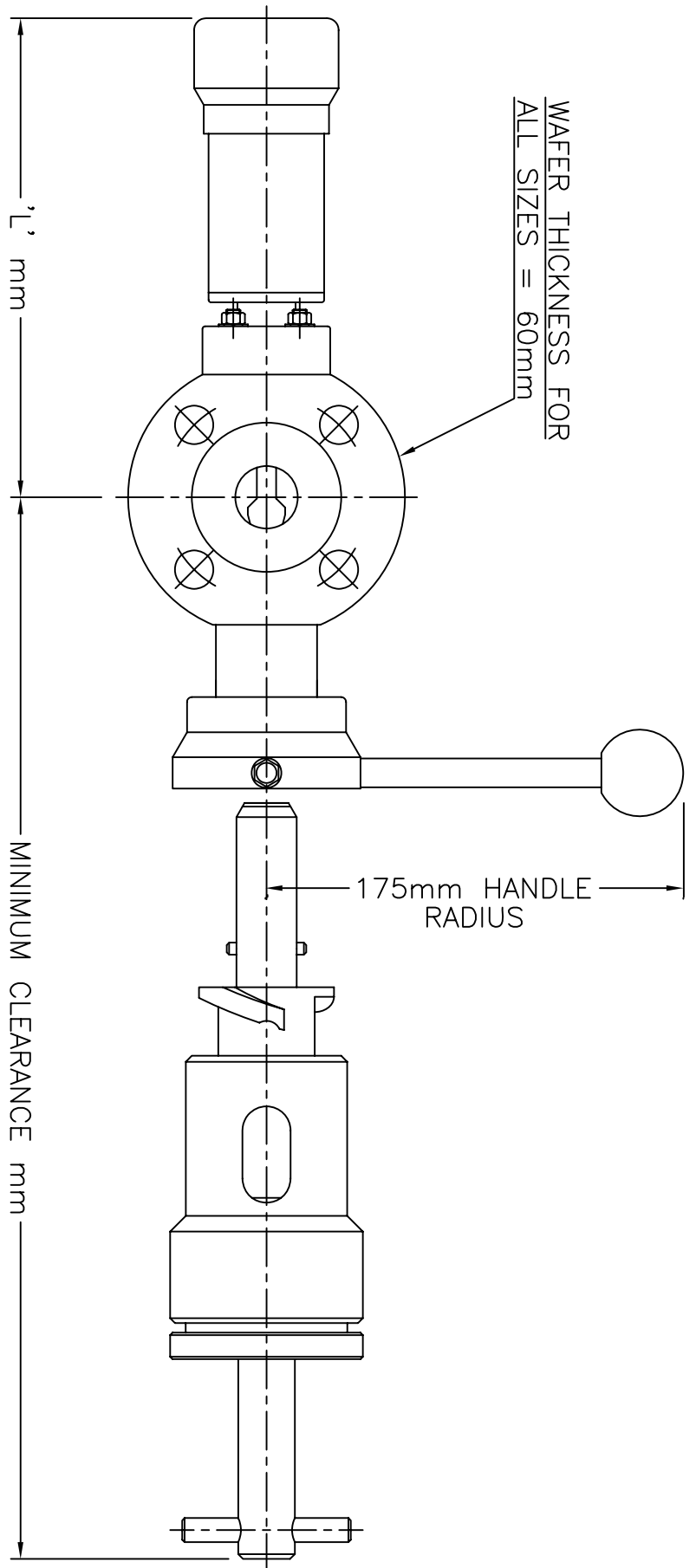
DIMS mm
DO NOT SCALE

GENERAL TOLERANCES
fractional ±0.015 in
decimal ±0.005 in
±0.4 mm ±0.1 mm

TITLE
G.A. SD-IL-5/600
WITH 50ml SYRINGE

DRAWING NO
SD503-00

VALVE SIZE	'L' mm	MIN CLEARANCE mm
6"ASA / DN150	288	510
4"ASA / DN100	259	484
3"ASA / DN80	244	472
2½"ASA / DN65	237	465
2"ASA / DN50	226	459
1½"ASA / DN40	218	454
1"ASA / DN25	200	446



WAFER THICKNESS FOR ALL SIZES = 60mm

175mm HANDLE RADIUS

503-00