
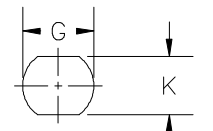
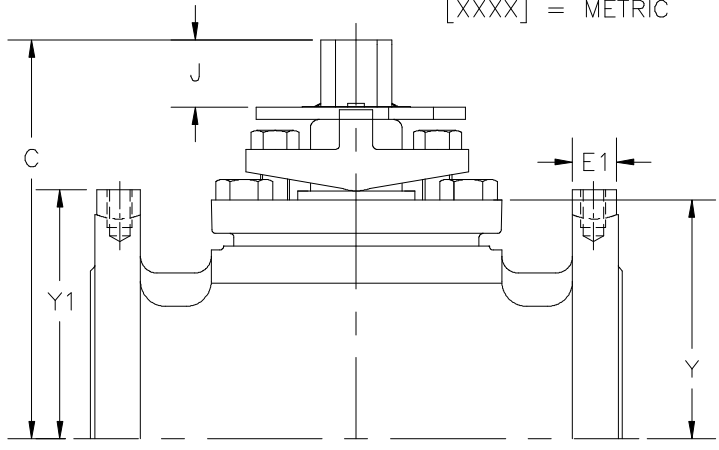
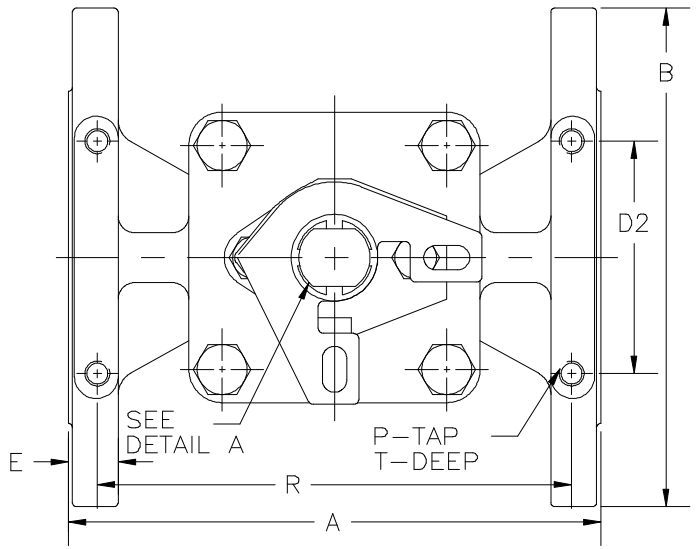


IDENTIFICATION NUMBER		 <b>FLOWSERVE</b> FLOWSERVE CORPORATION COOKEVILLE VALVE OPERATION COOKEVILLE, TN 38501	CERTIFIED FOR DIMENSIONS ONLY		SUBMITTED FOR CUSTOMER APPROVAL ONLY		NO.	DATE	REVISION	BY	
VP1451B			BY _____	CUSTOMER _____		ORDER NO. _____		13	6/26/01	REMOVED "SQ" FROM "K SQ."	CLR
ISSUE NO. 14			ORDER NO. _____	FLOWSERVE ORDER NO. _____		ITEM NO. _____		13	6/28/01	ADDED DIMENSION CHANGE	AKL
DESIGN PRINT		DRAWN BY P.D.S.	ITEM NO. _____		APPROVED BY: _____ DATE _____						
STD DESIGN PRINT G411 & G431		DATE 12/21/76	RESUBMIT CORRECTED DRAWING <input type="checkbox"/>		APPROVED EXCEPT AS NOTED <input type="checkbox"/>						
		CHECKED BY _____			RESUBMIT CORRECTED DRAWING <input type="checkbox"/>						

NOTE: ADJUSTMENT "X" UP & DOWN

XXXX = ENGLISH  
 [XXXX] = METRIC

- NOTES:
- ALL TOP CAP FASTENERS MUST HAVE A MIN. YIELD STRENGTH OF 40,000 P.S.I.
  - STOP COLLAR TO BE REPLACED WITH SPECIAL POINTER WHEN MOUNTING ACTUATOR.



CONFIGURATION OF PLUG STEM TOP

DETAIL A

DIMENSIONS SHOWN ARE NOMINAL DIMENSIONS. FOR TOLERANCED DIMENSIONS, CONSULT THE FACTORY. CERTAIN VALVE FEATURES MAY NOT BE SHOWN PICTORIALLY. CONSULT FACTORY IF DESIGN OF ATTACHMENT IS CONSIDERED. DRAWING NOT TO SCALE.

(13)

TYPE VALVE	VALVE SIZE	A		B		C		*	D2	E		E1		ØG	J		K		T	Y1		R		P
		150	300	150	300	150	300			150	300	150	300		150	300	150	300		150	300	150	300	
G411	1.00	5.00	6.50	4.25	4.88	3.72	.19	1.75		.44	.69	.63	.59	.787 [19.99]	.69	.656 [16.66]	.47	2.38	2.38	4.19	5.69			
G431	[25]	[127.0]	[165.1]	[108.0]	[123.8]	[94.5]	[4.8]	[44.5]		[11.1]	[17.5]	[15.9]	[15.1]	.782 [19.86]	[17.6]	.651 [16.54]	[11.9]	[60.3]	[60.3]	[106.4]	[144.5]			
G411	1.50	6.50	7.50	5.00	6.13	4.16	.19	1.75		.56	.81	.63	.72	.787 [19.99]	.75	.656 [16.66]	.47	2.63	3.19	5.63	6.56			5/16-18
G431	[40]	[165.1]	[190.5]	[127.0]	[155.6]	[105.6]	[4.8]	[44.5]		[14.3]	[20.6]	[15.9]	[18.3]	.782 [19.86]	[19.1]	.651 [16.54]	[11.9]	[66.7]	[81.0]	[142.9]	[166.6]			
G411	2.00	7.00	8.50	6.00	6.50	4.75	.19	2.25		.63	.88	.63	.78	1.075 [27.31]	.81	.875 [22.23]	.47	3.13	3.38	6.19	7.50			
G431	[50]	[177.8]	[215.9]	[152.4]	[165.1]	[120.7]	[4.8]	[57.2]		[15.9]	[22.2]	[15.9]	[19.8]	1.070 [27.18]	[20.6]	.870 [22.10]	[11.9]	[79.4]	[85.7]	[157.2]	[190.5]			
G411	3.00	8.00	11.13	7.50	8.25	6.00	.19	3.50		.75	1.13	.63	1.00	1.075 [27.31]	1.00	.875 [22.23]	.56	3.88	4.25	7.13	9.88			3/8-16
G431	[80]	[203.2]	[282.6]	[190.5]	[209.6]	[152.4]	[4.8]	[88.9]		[19.1]	[28.6]	[15.9]	[25.4]	1.070 [27.18]	[25.4]	.870 [22.10]	[14.3]	[98.4]	[108.0]	[181.0]	[250.8]			
G411	4.00	9.00	12.00	9.00	10.00	7.66	.25	4.00		.94	1.25	.81	1.13	1.687 [42.85]	1.38	1.421 [36.09]	.66	4.63	5.13	8.00	10.63			7/16-14
G431	[100]	[228.6]	[304.8]	[228.6]	[254.0]	[194.5]	[6.4]	[101.6]		[23.8]	[31.8]	[20.6]	[28.6]	1.677 [42.60]	[34.9]	1.416 [35.97]	[16.7]	[117.5]	[130.2]	[203.8]	[269.9]			
G411	6.00	10.50	15.88	11.00	12.50	9.72	.25	4.00		1.00	1.44	.88	1.25	1.875 [47.63]	1.44	1.421 [36.09]	.66	5.63	6.38	9.44	14.25			
G431	[150]	[266.7]	[403.2]	[279.4]	[317.5]	[246.9]	[6.4]	[101.6]		[25.4]	[36.5]	[22.2]	[31.8]	1.865 [47.37]	[36.5]	1.416 [35.97]	[16.7]	[142.9]	[161.9]	[239.7]	[362.0]			