

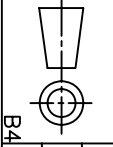
THIS DRAWING IS THE PROPERTY OF FLEX-RITE HOSE & COUPLINGS LTD AND MUST NOT BE COPIED OR DISCLOSED TO A THIRD PARTY WITHOUT THE WRITTEN CONSENT OF FLEX-RITE

Destroy all previous copies of this drawing

ISS	DATE	REMARKS

OPERATING DATA	VALVE TYPE		DIMS mm
	<u>SD-IL-300</u> <u>ST/STEEL</u> 16 bar Max -20 to +200°C	<u>SD-IL-400</u> <u>P.F.A. LINED</u> 10 bar Max -20 to +180°C	

**FLEX-RITE** & COUPLINGS LTD  
WELLINGBOROUGH ENGLAND

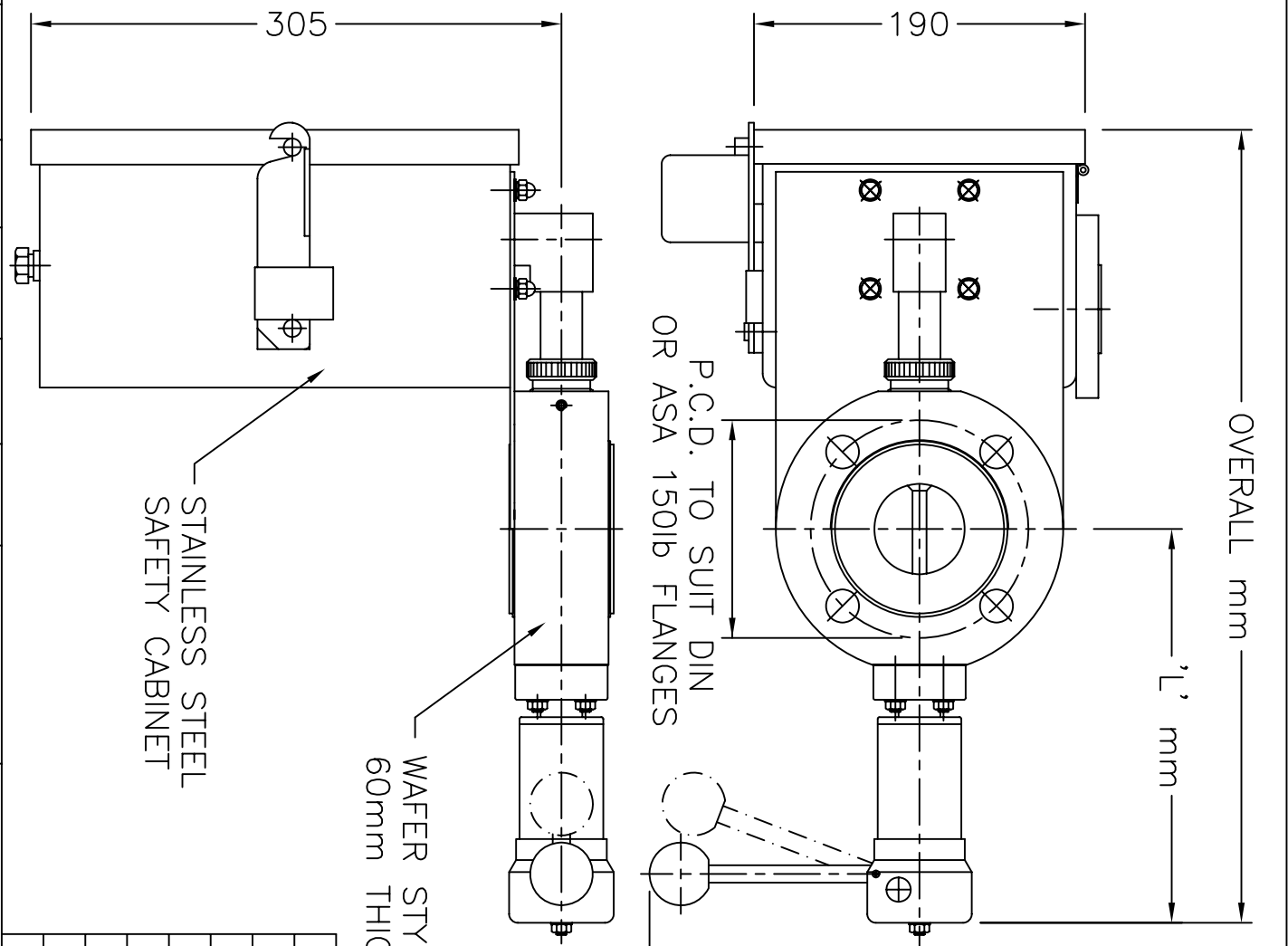


DRAWN	T.B.	MATL
DATE	30.08.96	SPEC'N
SCALE	0.3	CKD BY

GENERAL TOLERANCES	Fractional	decimal
	±0.015 in	±0.005 in
	±0.4 mm	±0.1 mm

TITLE  
G.A. OF VERTICALLY MOUNTED SAMPLING DEVICE TYPE SD-IL-300/400 WITH CABINET

DRAWING NO	ISS
SD342-00	



SIZE	'L' mm	OVERALL mm
6"	271.0	569.0
4"	242.0	512.0
3"	227.0	482.0
2½"	219.5	467.5
2"	209.0	447.0
1½"	201.0	431.0
1"	182.0	395.0

342-00