

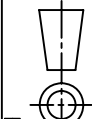
THIS DRAWING IS THE PROPERTY OF FLEX-RITE HOSE & COUPLINGS LTD AND MUST NOT BE COPIED OR DISCLOSED TO A THIRD PARTY WITHOUT THE WRITTEN CONSENT OF FLEX-RITE

Destroy all previous copies of this drawing

ISS	DATE	REMARKS
2	11.12.96	REDRAWN
CKD		

OPERATING DATA	VALVE TYPE		DIMS mm
	<u>SD-IL-300</u> <u>ST/STEEL</u> PRESSURE 16 bar Max TEMPERATURE -20 to +200°C	<u>SD-IL-400</u> <u>P.F.A. LINED</u> PRESSURE 10 bar Max TEMPERATURE -20 to +180°C	

FLEX-RITE HOSE & COUPLINGS LTD
WELLINGBOROUGH ENGLAND



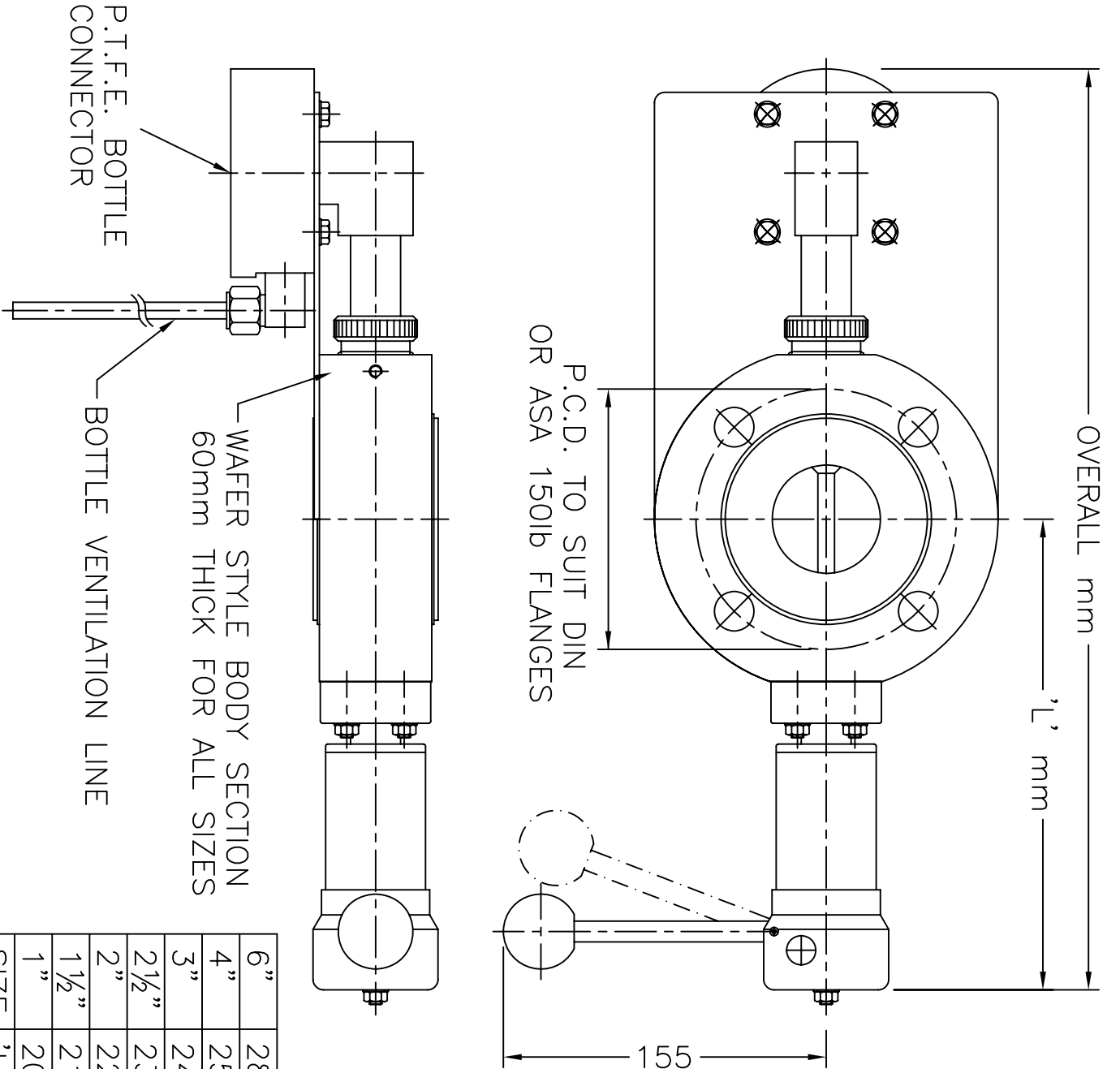
B4

DRAWN	T.B.	MATL
DATE	30.08.96	SPEC'N
SCALE	0.4	CKD BY

GENERAL TOLERANCES	
Fractional	decimal
±0.015 in	±0.005 in
±0.4 mm	±0.1 mm

TITLE
VERTICALLY MOUNTED SAMPLING
DEVICE TYPE SD-IL-300/400
WITH BOTTLE CONNECTOR

DRAWING NO	ISS
SD341-00	2



SIZE	'L', mm	OVERALL mm
6"	288.0	572.0
4"	259.0	515.0
3"	244.0	485.0
2½"	237.0	470.0
2"	226.0	449.0
1½"	218.0	434.0
1"	200.0	399.0

341-00