

THIS DRAWING IS THE PROPERTY OF FLEX-RITE HOSE & COUPLINGS LTD AND MUST NOT BE COPIED OR DISCLOSED TO A THIRD PARTY WITHOUT THE WRITTEN CONSENT OF FLEX-RITE

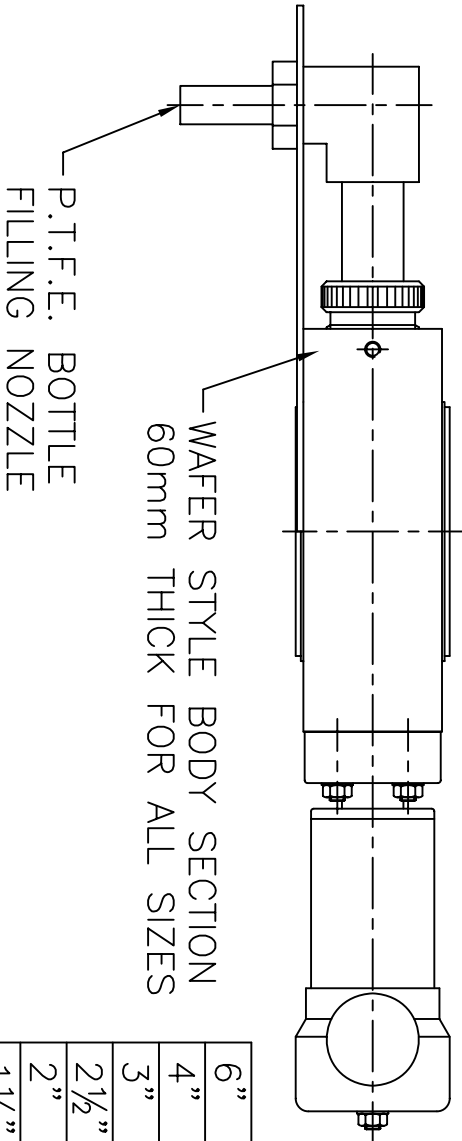
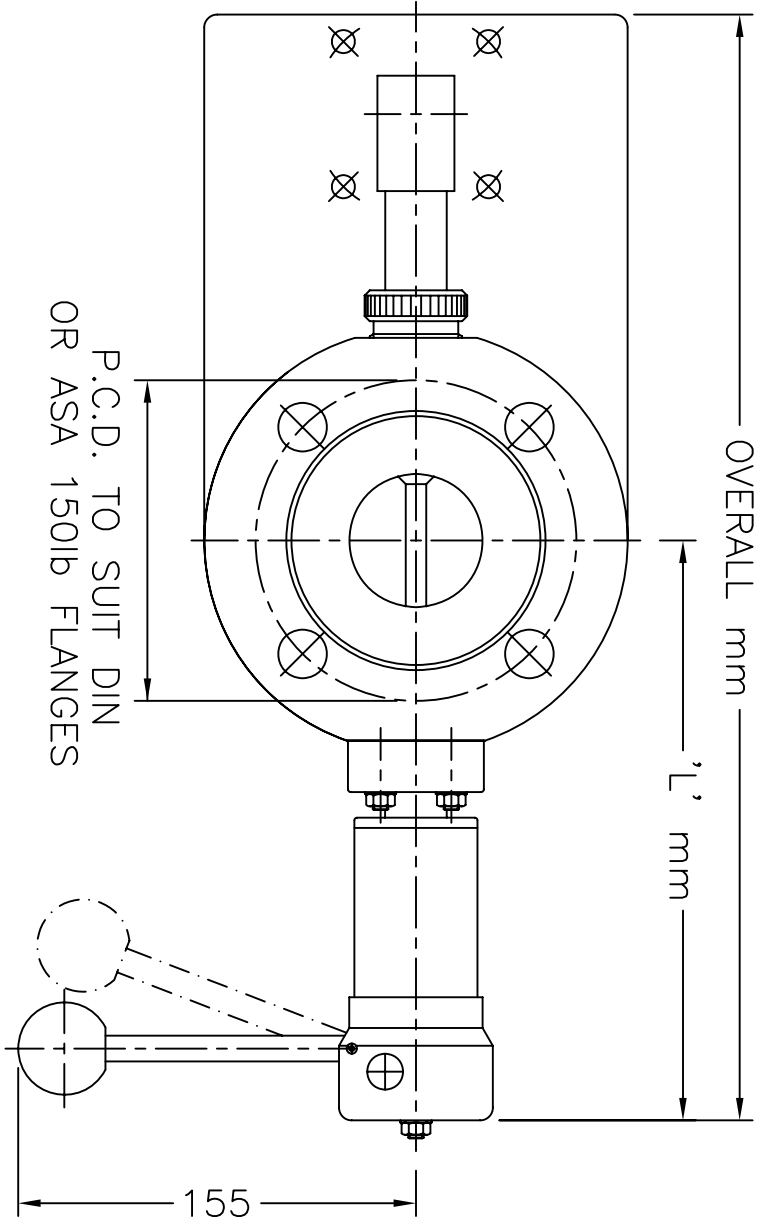
Destroy all previous copies of this drawing

| ISS | DATE | REMARKS |
|-----|----------|---------|
| 2 | 11.12.96 | REDRAWN |
| CKD | | |

FLEX-RITE HOSE & COUPLINGS LTD
WELLINGBOROUGH ENGLAND

DIMS
mm

| OPERATING DATA | VALVE TYPE | |
|----------------|---|---|
| PRESSURE | <u>SD-IL-300</u> <u>ST/STEEL</u> 16 bar Max | <u>SD-IL-400</u> <u>P.F.A. LINED</u> 10 bar Max |
| TEMPERATURE | -20 to +200°C | -20 to +180°C |



| SIZE | 'L' mm | OVERALL mm |
|------|--------|------------|
| 6" | 288.0 | 560.0 |
| 4" | 259.0 | 503.0 |
| 3" | 244.0 | 473.0 |
| 2½" | 237.0 | 458.0 |
| 2" | 226.0 | 437.0 |
| 1½" | 218.0 | 422.0 |
| 1" | 200.0 | 387.0 |

| DRAWN | T.B. | MATL | GENERAL TOLERANCES |
|-------|----------|--------|---|
| DATE | 30.08.96 | SPEC'N | Fractional ±0.015 in Decimal ±0.005 in |
| SCALE | 0.4 | CKD BY | ±0.4 mm ±0.1 mm |

TITLE
G.A. OF VERTICALLY MOUNTED
SAMPLING DEVICE TYPE
SD-IL-300/400 WITH NOZZLE

| DRAWING NO | ISS |
|------------|-----|
| SD340-00 | 2 |

340-00