

THIS DRAWING IS THE PROPERTY OF FLEX-RITE HOSE & COUPLINGS LTD AND MUST NOT BE COPIED OR DISCLOSED TO A THIRD PARTY WITHOUT THE WRITTEN CONSENT OF FLEX-RITE

Destroy all previous copies of this drawing

ISS	DATE	REMARKS
3	20.01.95	OPERATING DATA TABLE ADDED
CKD		

FLEX-RITE & COUPLINGS LTD
WELLINGBOROUGH ENGLAND



DRAWN	T.B.	MATL
DATE	12.9.94	SPEC'N
SCALE	0.5	CKD BY

DIMS mm

DO NOT SCALE

GENERAL TOLERANCES
fractional ± 0.015 in
decimal ± 0.005 in
 ± 0.4 mm ± 0.1 mm

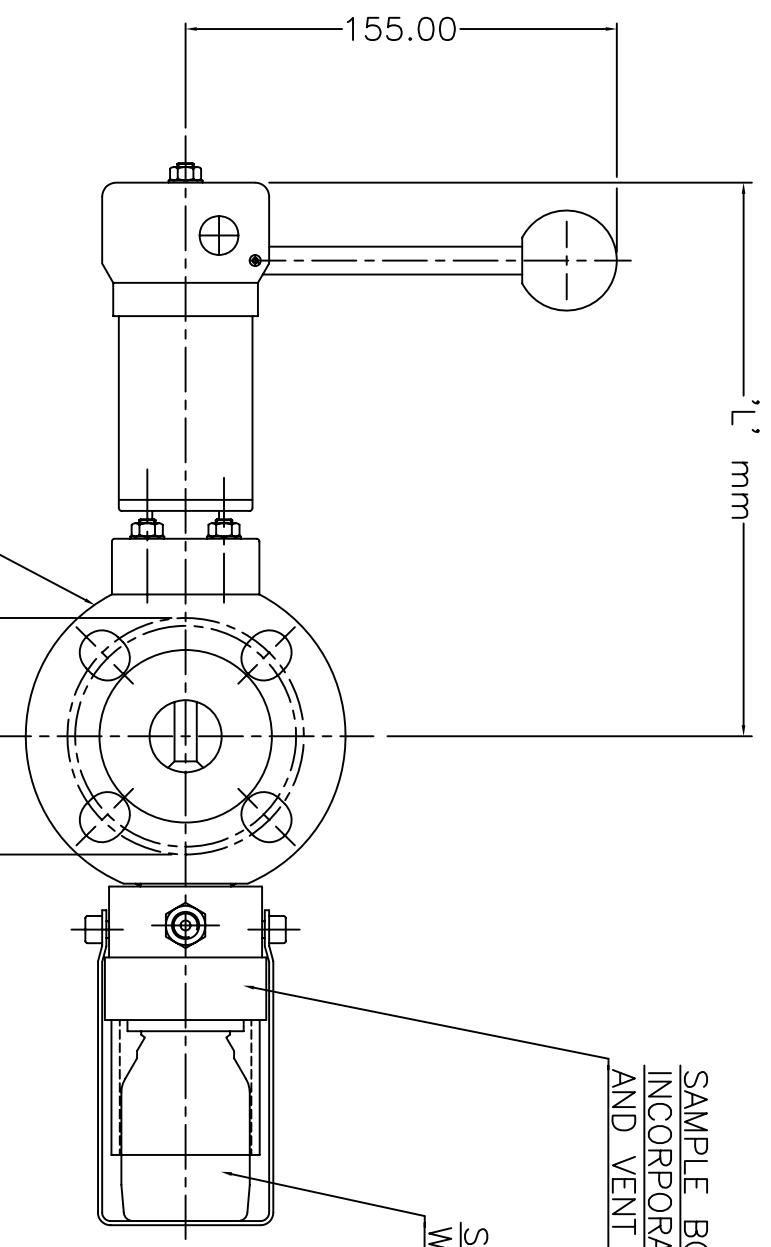
TITLE G.A. OF FLEX-RITE IN LINE
SAMPLING DEVICE TYPE SD-IL-300/400
WITH SEPTUM/NEEDLE ARRANGEMENT

DRAWING NO SD319-00
ISS 3

OPERATING DATA	VALVE TYPE
PRESSURE	SD-IL-300
TEMPERATURE	ST/STEEL
	16 bar Max $^{\circ}$ C
	-20 to +200 $^{\circ}$ C
	SD-IL-400
	P.F.A. LINED
	10 bar Max $^{\circ}$ C
	-20 to +180 $^{\circ}$ C

WAFER BODY SECTION 60mm THICK
FOR ALL SIZES

P.C.D. TO SUIT DIN
OR ASA 150 lb FLANGES



6"	271.00
4"	242.00
3"	227.00
2.5"	219.50
2"	209.00
1.5"	201.00
1"	182.00
SIZE	'L' mm