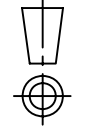


THIS DRAWING IS THE PROPERTY OF FLEX-RITE HOSE & COUPLINGS LTD AND MUST NOT BE COPIED OR DISCLOSED TO A THIRD PARTY WITHOUT THE WRITTEN CONSENT OF FLEX-RITE

Destroy all previous copies of this drawing

ISS	DATE	REMARKS
3	20.01.95	OPERATING DATA TABLE ADDED
CKD		

**FLEX-RITE** & COUPLINGS LTD  
WELLINGBOROUGH ENGLAND



DRAWN	T. B.	MATL	DIMS
DATE	10.08.94	SPEC'N	mm
SCALE	0.5	CKD BY	

DO NOT SCALE

GENERAL TOLERANCES  
fractional  $\pm 0.015$  in  
decimal  $\pm 0.005$  in  
 $\pm 0.4$  mm  $\pm 0.1$  mm

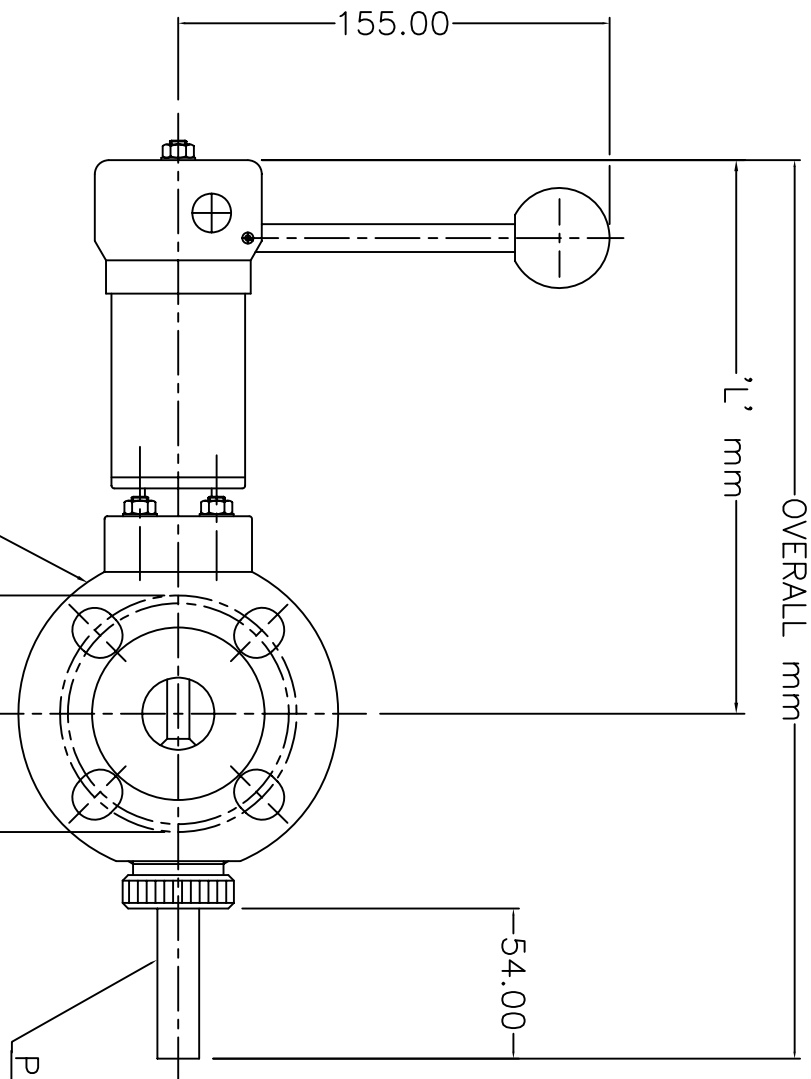
TITLE  
G.A. OF FLEX-RITE IN LINE  
SAMPLING DEVICE TYPE SD-IL-300/400  
FOR HAND HELD BOTTLE

DRAWING NO  
SD317-00  
ISS  
3

OPERATING DATA	VALVE TYPE
PRESSURE	SD-IL-300
TEMPERATURE	ST/STEEL
	16 bar Max $^{\circ}$ C
	-20 to +200 $^{\circ}$ C
	SD-IL-400
	P.F.A. LINED
	10 bar Max $^{\circ}$ C
	-20 to +180 $^{\circ}$ C

WAFER BODY SECTION 60mm THICK  
FOR ALL SIZES

P.C.D. TO SUIT DIN  
OR ASA 150 LB FLANGES



SIZE	'L' mm	OVERALL mm
6"	271.00	482.00
4"	242.00	425.00
3"	227.00	395.00
2.5"	219.50	380.00
2"	209.00	359.00
1.5"	201.00	343.00
1"	182.00	306.00