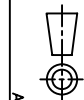


THIS DRAWING IS THE PROPERTY OF FLEX-RITE HOSE & COUPLINGS LTD AND MUST NOT BE COPIED OR DISCLOSED TO A THIRD PARTY WITHOUT THE WRITTEN CONSENT OF FLEX-RITE

Destroy all previous copies of this drawing

ISS	DATE	REMARKS
4	11.12.96	REDRAWN
CKD		

FLEX-RITE HOSE & COUPLINGS LTD  
WELLINGBOROUGH ENGLAND



DRAWN	T.B.	MATL
DATE	10.08.94	SPEC'N
SCALE	0.5	CKD BY

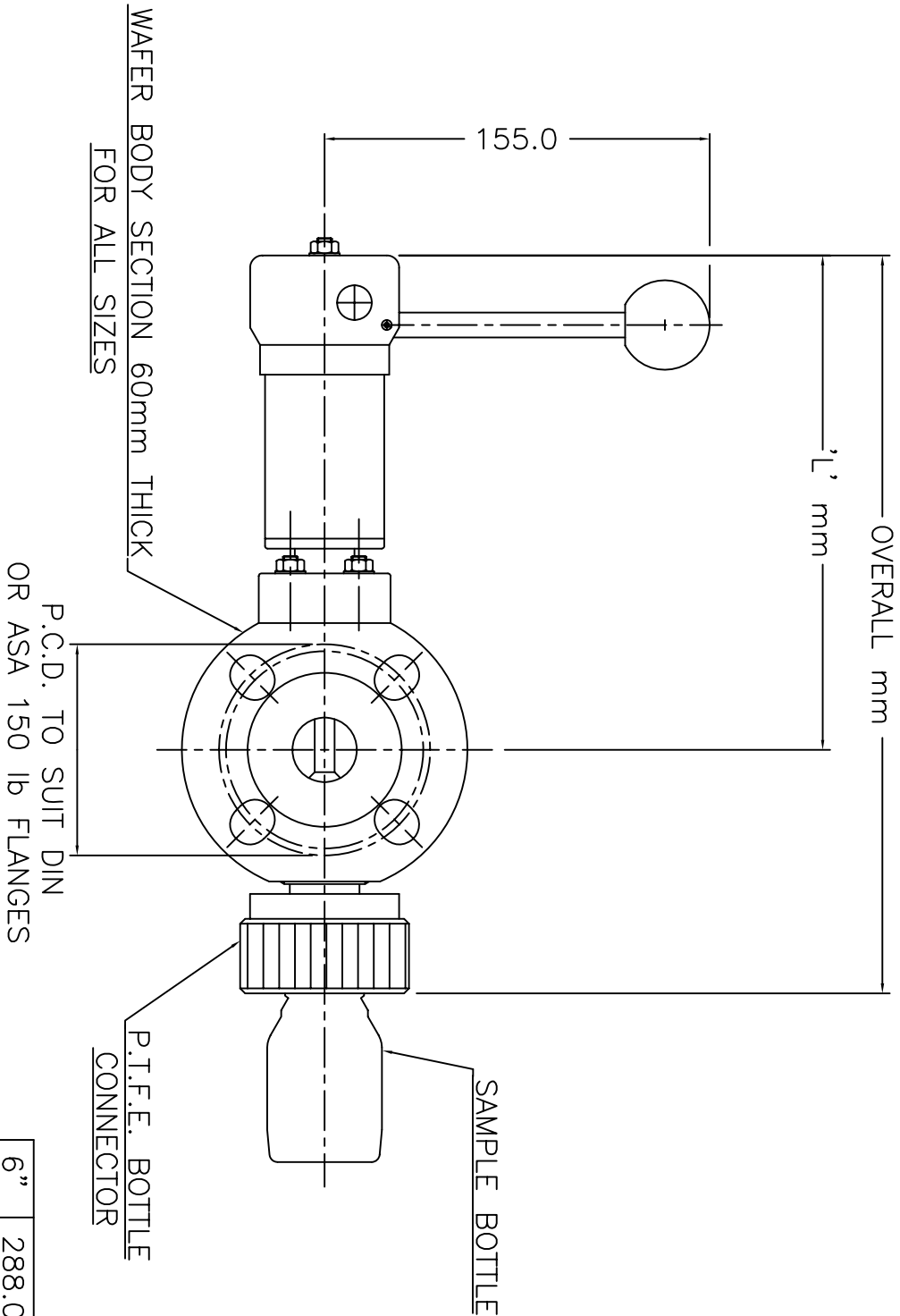
DIMS	DO NOT SCALE
mm	

GENERAL TOLERANCES
fractional $\pm 0.015$ in
decimal $\pm 0.005$ in
$\pm 0.4$ mm
$\pm 0.1$ mm

TITLE
G.A. OF FLEX-RITE IN LINE SAMPLING DEVICE TYPE SD-IL-300/400 WITH BOTTLE HOLDER

DRAWING NO	ISS
SD316-00	4

OPERATING DATA	VALVE TYPE
SD-IL-300 ST/STEEL	SD-IL-400 P.F.A. LINED
16 bar Max -20 to +200 °C	10 bar Max -20 to +180 °C



SIZE	'L' mm	OVERALL mm
6"	288.0	473.0
4"	259.0	416.0
3"	244.0	386.0
2½"	237.0	371.0
2"	226.0	350.0
1½"	218.0	334.0
1"	200.0	297.0