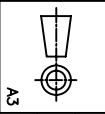


THIS DRAWING IS THE PROPERTY OF CRP FLEX-RITE LTD AND MUST NOT BE COPIED OR DISCLOSED TO A THIRD PARTY WITHOUT THE WRITTEN CONSENT OF CRP FLEX-RITE LTD.

Destroy all previous copies of this drawing

ISS	DATE	REMARKS
0	18.02.08	ORIGINAL

CRP FLEX-RITE Limited
LITTLEBOROUGH ENGLAND
www.crpamplng.com



DRAWN	T.B.	MATERIAL	N/A
DATE	18.02.08	SPEC'N	N/A
SCALE	1:2	CHK'D BY	

DIMS	DO NOT SCALE	GENERAL TOLERANCES ± 3mm
mm	PART No.	

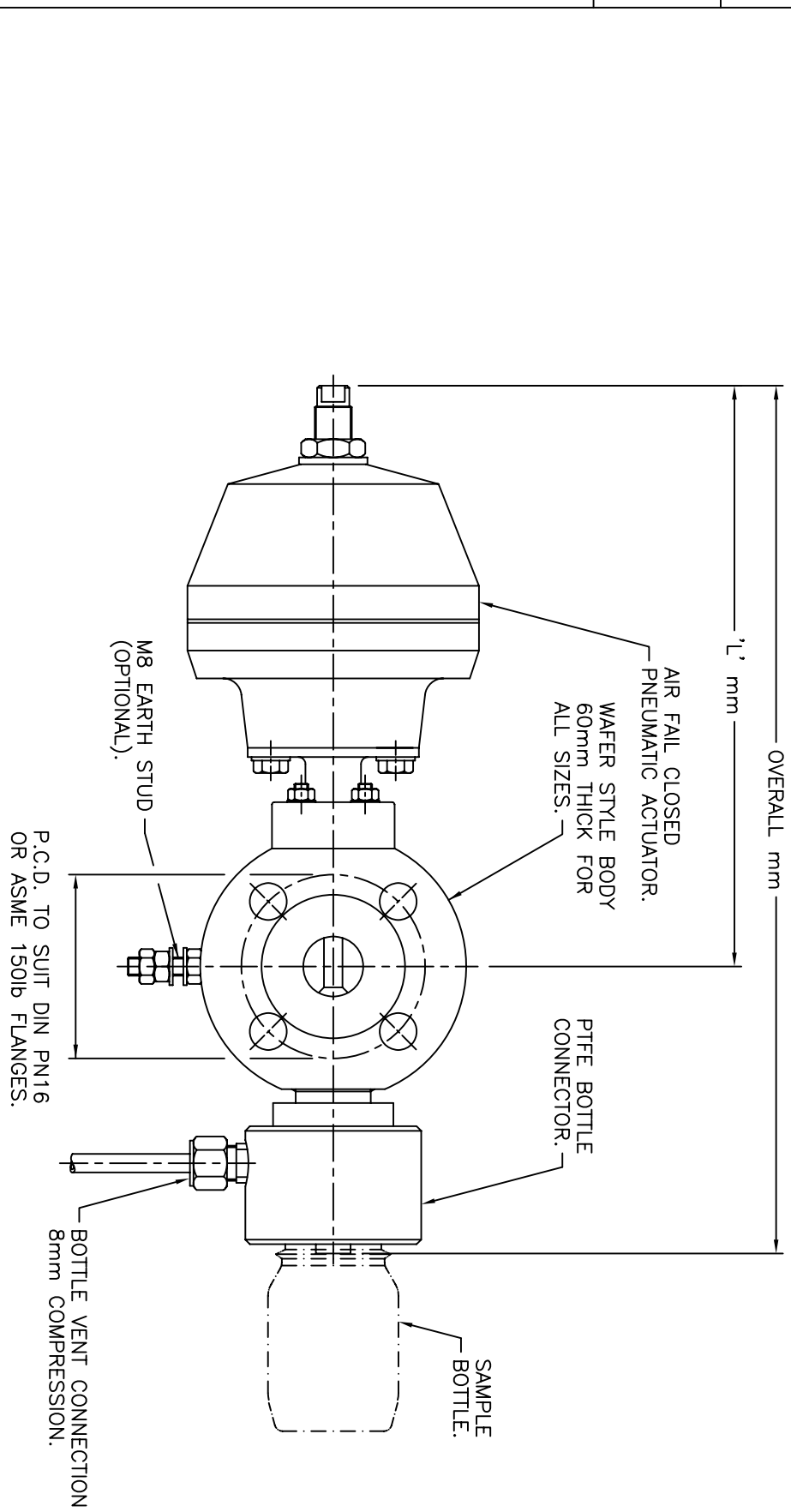
OPERATING DATA	VALVE TYPE
PRESSURE	SD-1L-400
TEMPERATURE	PFA LINED

OPERATING DATA	VALVE TYPE
PRESSURE	SD-1L-300
TEMPERATURE	316L St/St

TITLE
G.A. AUTOMATIC SD-1L-300/400 SAMPLER WITH BOTTLE CONNECTOR

DRAWING No	ISS
SDD373	0

VALVE SIZE	OVERALL mm
6" ASME 150lb	340 mm
4" ASME 150lb	311 mm
3" ASME 150lb	296 mm
2½" ASME 150lb	289 mm
2" ASME 150lb	278 mm
1½" ASME 150lb	270 mm
1" ASME 150lb	251 mm



OPERATING DATA	VALVE TYPE
PRESSURE	SD-1L-400
TEMPERATURE	PFA LINED
	10 bar Max
	-20 to +180°C