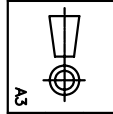


THIS DRAWING IS THE PROPERTY OF CRP FLEX-RITE LTD AND MUST NOT BE COPIED OR DISCLOSED TO A THIRD PARTY WITHOUT THE WRITTEN CONSENT OF CRP FLEX-RITE LTD.

Destroy all previous copies of this drawing

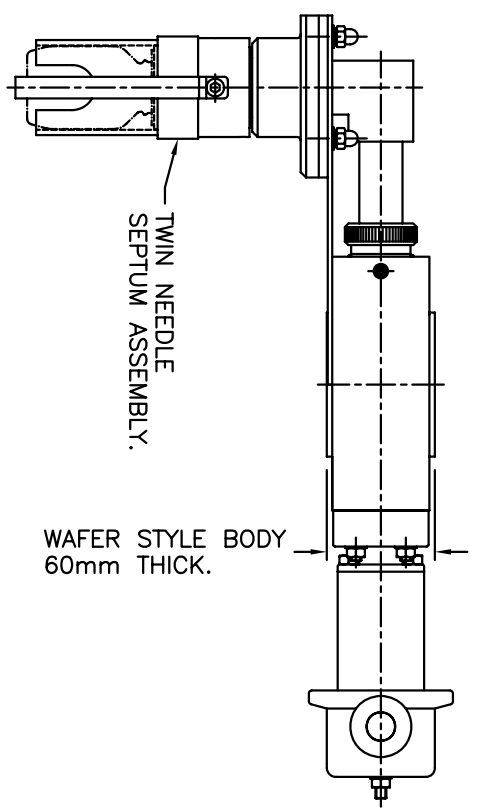
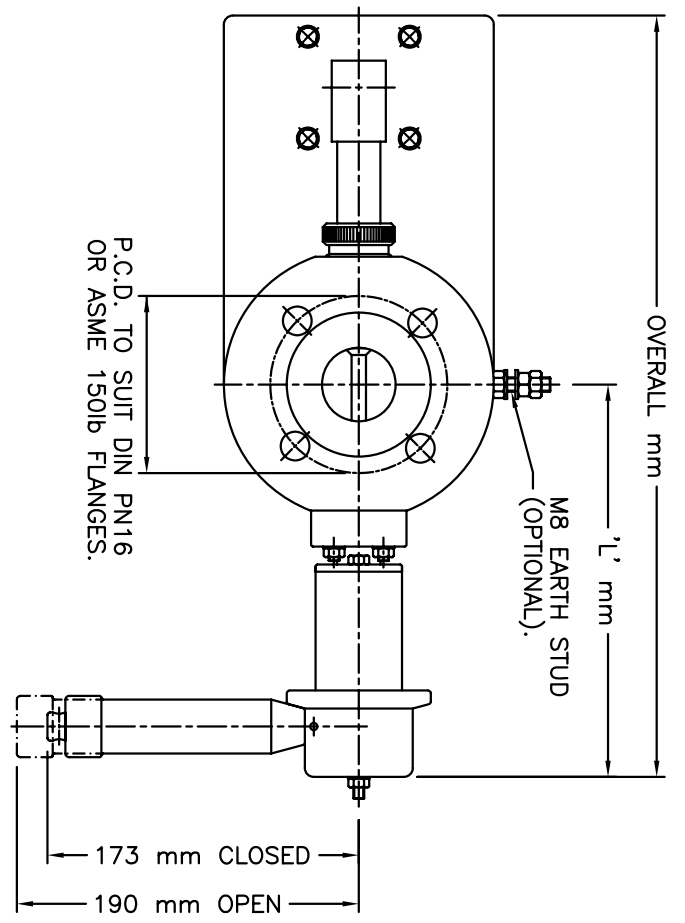
ISS	DATE	REMARKS
0	04.02.08	ORIGINAL

CRP FLEX-RITE Limited
LITTLEBOROUGH ENGLAND
www.crpamplng.com



DRAWN	T.B.	MATERIAL	N/A
DATE	04.02.08	SPEC'N	N/A
SCALE	1:3	CHK'D BY	

VALVE SIZE	VALVE SIZE	OVERALL mm
6" ASME 150lb	288 mm	560 mm
4" ASME 150lb	259 mm	505 mm
3" ASME 150lb	244 mm	474 mm
2½" ASME 150lb	237 mm	459 mm
2" ASME 150lb	226 mm	431 mm
1½" ASME 150lb	218 mm	423 mm
1" ASME 150lb	200 mm	384 mm



DIMS	DO NOT SCALE	GENERAL TOLERANCES ± 5mm
mm	PART No.	

TITLE
G.A. SD-IL-300/400 VERTICALLY MOUNTED SAMPLING DEVICE WITH SEPTUM ASSEMBLY

OPERATING DATA	VALVE TYPE
SD-IL-300	SD-IL-400
316L St/St	PFA LINED
PRESSURE	16 bar Max
TEMPERATURE	10 bar Max
-20 to +200°C	-20 to +180°C

DRAWING No SDD372
ISS 0