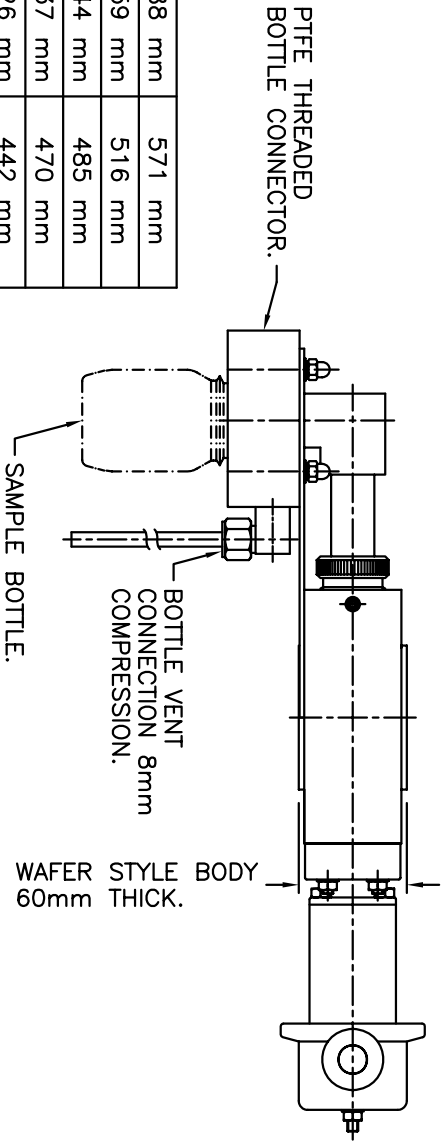
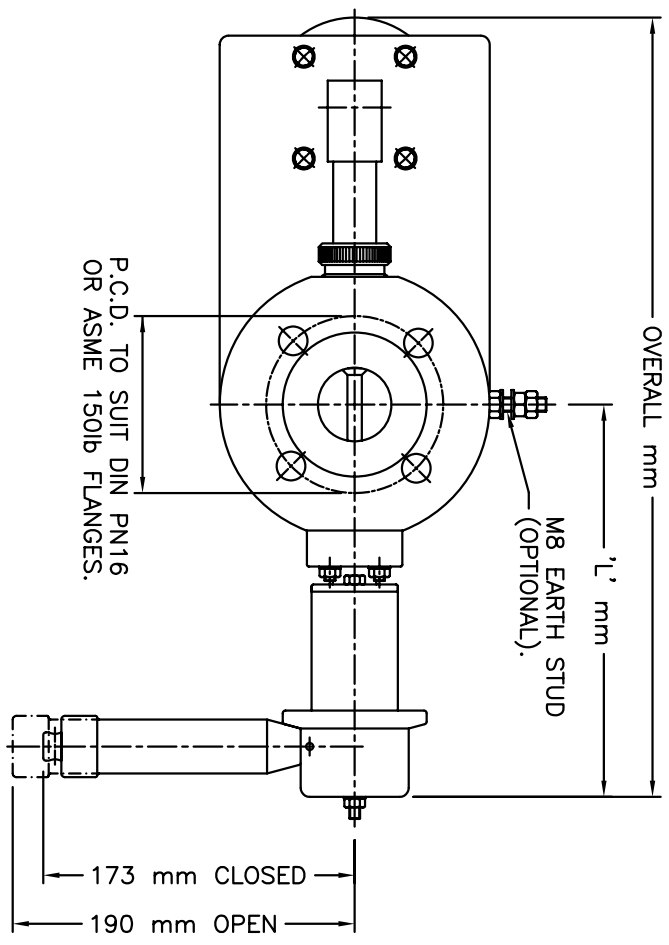


THIS DRAWING IS THE PROPERTY OF CRP FLEX-RITE LTD AND MUST NOT BE COPIED OR DISCLOSED TO A THIRD PARTY WITHOUT THE WRITTEN CONSENT OF CRP FLEX-RITE LTD.

Destroy all previous copies of this drawing

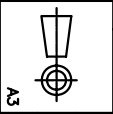
ISS	DATE	REMARKS
0	04.02.08	ORIGINAL
CKD		



6" ASME 150lb	288 mm	571 mm
4" ASME 150lb	259 mm	516 mm
3" ASME 150lb	244 mm	485 mm
2½" ASME 150lb	237 mm	470 mm
2" ASME 150lb	226 mm	442 mm
1½" ASME 150lb	218 mm	433 mm
1" ASME 150lb	200 mm	395 mm
VALVE SIZE	1" mm	OVERALL mm

OPERATING DATA	VALVE TYPE
SD-IL-300	SD-IL-400
316L St/St	PFA LINED
16 bar Max	10 bar Max
-20 to +200°C	-20 to +180°C

CRP FLEX-RITE Limited
 LITTLEBOROUGH ENGLAND
 www.crpamplng.com



DRAWN	T.B.	MATERIAL	N/A	DIMS	DO NOT SCALE	GENERAL TOLERANCES ± 5mm	TITLE
DATE	04.02.08	SPEC'N	N/A	mm			G.A. SD-IL-300/400 VERTICALLY MOUNTED SAMPLING DEVICE WITH THREADED BOTTLE CONNECTOR
SCALE	1:3	CHK'D BY					

DATE	04.02.08	SPEC'N	N/A	DIMS	mm	DO NOT SCALE	GENERAL TOLERANCES ± 5mm	TITLE
SCALE	1:3	CHK'D BY						G.A. SD-IL-300/400 VERTICALLY MOUNTED SAMPLING DEVICE WITH THREADED BOTTLE CONNECTOR

DRAWN	T.B.	MATERIAL	N/A	DIMS	mm	DO NOT SCALE	GENERAL TOLERANCES ± 5mm	TITLE	DRAWING No	ISS
DATE	04.02.08	SPEC'N	N/A	mm				G.A. SD-IL-300/400 VERTICALLY MOUNTED SAMPLING DEVICE WITH THREADED BOTTLE CONNECTOR	SDD371	0
SCALE	1:3	CHK'D BY								