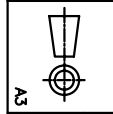


THIS DRAWING IS THE PROPERTY OF CRP FLEX-RITE LTD AND MUST NOT BE COPIED OR DISCLOSED TO A THIRD PARTY WITHOUT THE WRITTEN CONSENT OF CRP FLEX-RITE LTD.

Destroy all previous copies of this drawing

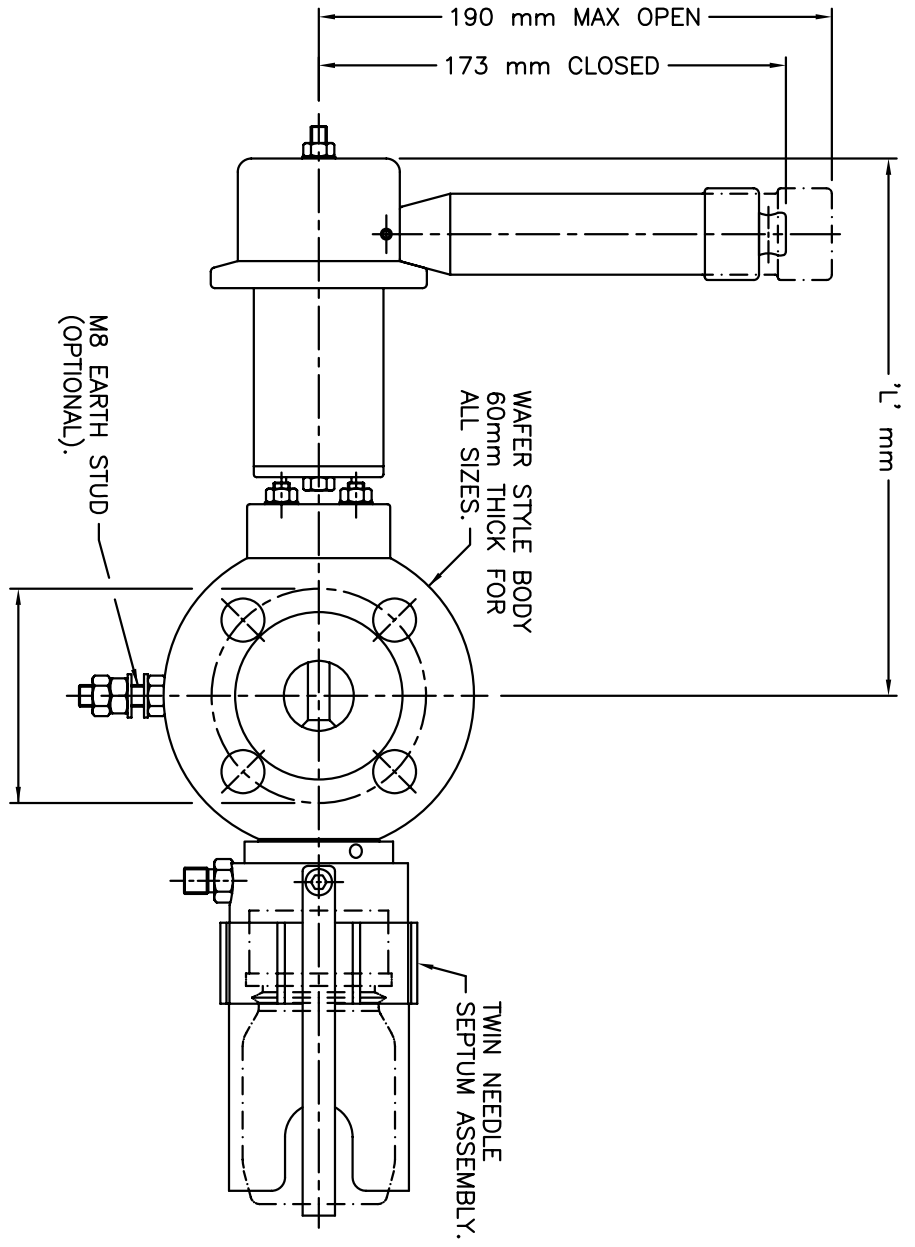
ISS	DATE	REMARKS
0	04.02.08	ORIGINAL

CRP FLEX-RITE Limited
LITTLEBOROUGH ENGLAND
www.crpdmplng.com



DRAWN	T.B.	MATERIAL	N/A	DIMS	DO NOT SCALE	GENERAL TOLERANCES ± 3mm
SCALE	DATE	SPEC'N	N/A	mm		PART No.
1:2	04.02.08	CHK'D BY				

VALVE SIZE	VALVE SIZE	VALVE SIZE
6" ASME 150lb	288 mm	
4" ASME 150lb	259 mm	
3" ASME 150lb	244 mm	
2½" ASME 150lb	237 mm	
2" ASME 150lb	226 mm	
1½" ASME 150lb	218 mm	
1" ASME 150lb	200 mm	



OPERATING DATA	VALVE TYPE
SD-IL-300 316L St/St	SD-IL-400 PFA LINED
PRESSURE 16 bar Max	10 bar Max
TEMPERATURE -20 to +200°C	-20 to +180°C

TITLE
G.A. SD-IL-300/400 SAMPLING
DEVICE WITH SEPTUM ASSEMBLY
DRAWING No SDD369
ISS 0