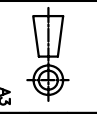


THIS DRAWING IS THE PROPERTY OF CRP FLEX-RITE LTD AND MUST NOT BE COPIED OR DISCLOSED TO A THIRD PARTY WITHOUT THE WRITTEN CONSENT OF CRP FLEX-RITE LTD.

Destroy all previous copies of this drawing

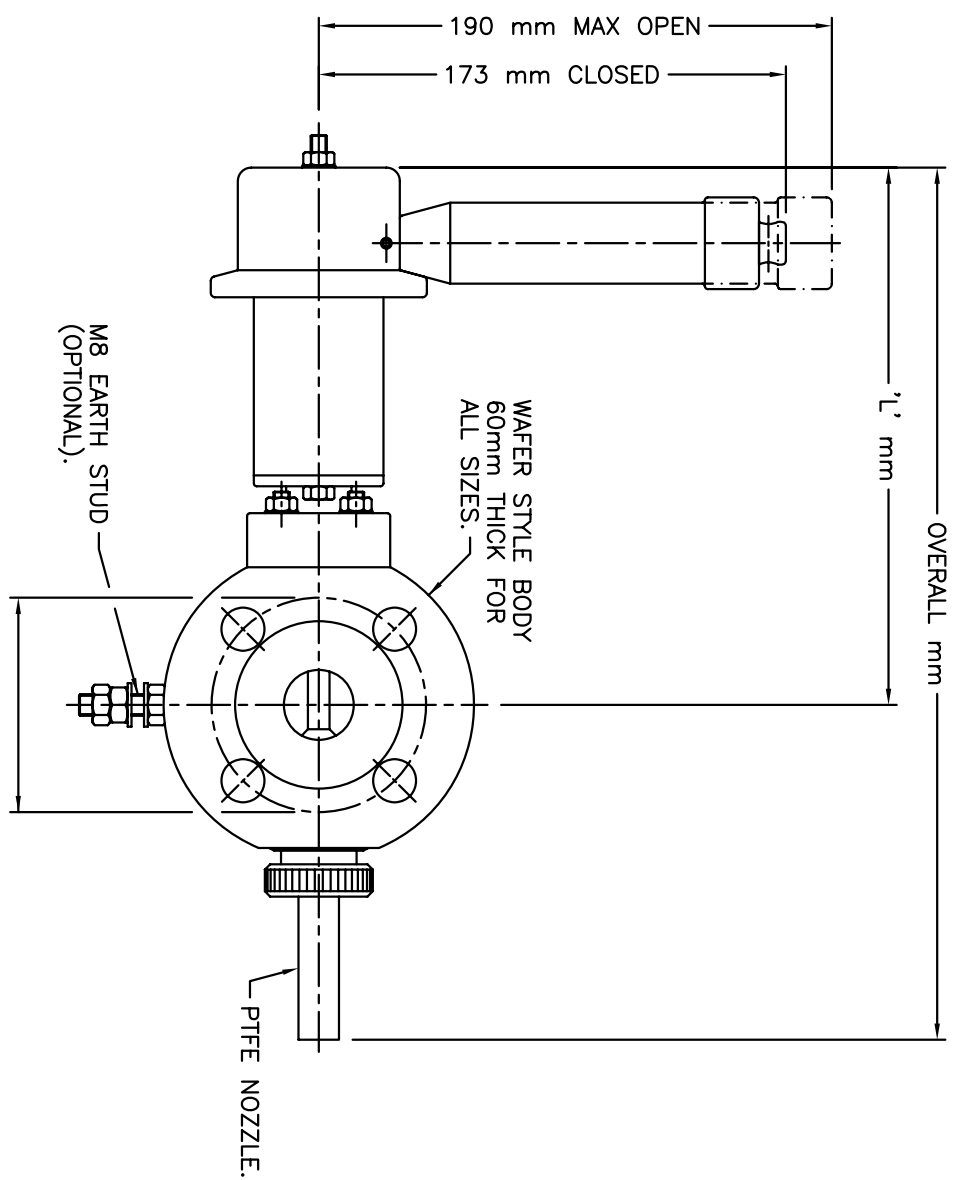
ISS	DATE	REMARKS
0	04.02.08	ORIGINAL

CRP FLEX-RITE Limited
LITTLEBOROUGH ENGLAND
www.crpdmplng.com



DRAWN	T.B.	MATERIAL	N/A	DIMS	DO NOT SCALE	GENERAL TOLERANCES ± 3mm	TITLE	DRAWING No	ISS
DATE	04.02.08	SPEC'N	N/A	mm			G.A. SD-IL-300/400 SAMPLING DEVICE FOR HAND HELD BOTTLE	SDD367	0
SCALE	1:2	CHK'D BY							

VALVE SIZE	OVERALL mm
6" ASME 150lb	497 mm
4" ASME 150lb	442 mm
3" ASME 150lb	412 mm
2½" ASME 150lb	397 mm
2" ASME 150lb	374 mm
1½" ASME 150lb	360 mm
1" ASME 150lb	323 mm



OPERATING DATA	VALVE TYPE
SD-IL-300	SD-IL-400
316L St/St	PFA LINED
PRESSURE	10 bar Max
16 bar Max	
TEMPERATURE	-20 to +180°C
-20 to +200°C	