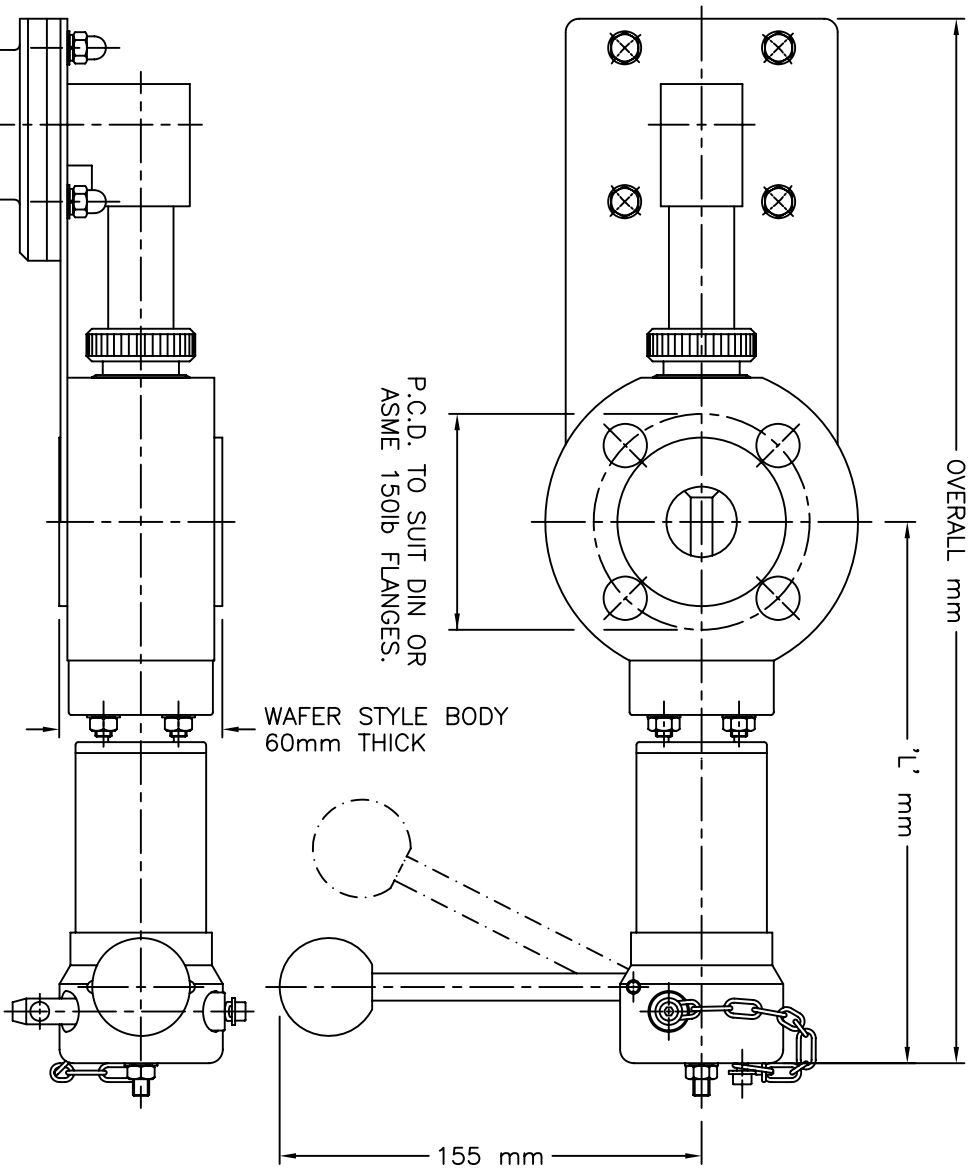


THIS DRAWING IS THE PROPERTY OF CRP FLEX-RITE LTD AND MUST NOT BE COPIED OR DISCLOSED TO A THIRD PARTY WITHOUT THE WRITTEN CONSENT OF CRP FLEX-RITE LTD.

Destroy all previous copies of this drawing

ISS	DATE	REMARKS



TWIN NEEDLE SEPTUM ASSEMBLY.

6"ASME 150lb	288 mm	560 mm
4"ASME 150lb	259 mm	505 mm
3"ASME 150lb	244 mm	474 mm
2½"ASME 150lb	237 mm	
2"ASME 150lb	226 mm	431 mm
1½"ASME 150lb	218 mm	423 mm
1"ASME 150lb	200 mm	384 mm
VALVE SIZE	'L' mm	OVERALL mm

**CRP FLEX-RITE Limited**  
WELLINGBOROUGH ENGLAND

**AS3**

DRAWN	T.B.	MATERIAL	DIMS	DO NOT SCALE	GENERAL TOLERANCES	TITLE	DRAWING No
DATE	26.01.05	SPEC'N	mm		fractional ±0.015 in ±0.4 mm	G.A. SD-IL-300/400 SAMPLING DEVICE WITH SEPTUM/NEEDLE ARRANGEMENT	SDD313
SCALE	1:2	CHK'D BY			decimal ±0.005 in ±0.1 mm		ISS

OPERATING DATA	VALVE TYPE
SD-IL-300	SD-IL-400
316L St/St	P.F.A. LINED
PRESSURE 16 bar Max	10 bar Max
TEMPERATURE -20 to +200°C	-20 to +180°C