

THIS DRAWING IS THE PROPERTY OF FLEX-RITE HOSE & COUPLINGS LTD AND MUST NOT BE COPIED OR DISCLOSED TO A THIRD PARTY WITHOUT THE WRITTEN CONSENT OF FLEX-RITE

Destroy all previous copies of this drawing

ISS	DATE	REMARKS
CKD		

**FLEX-RITE** & COUPLINGS LTD  
WELLINGBOROUGH ENGLAND



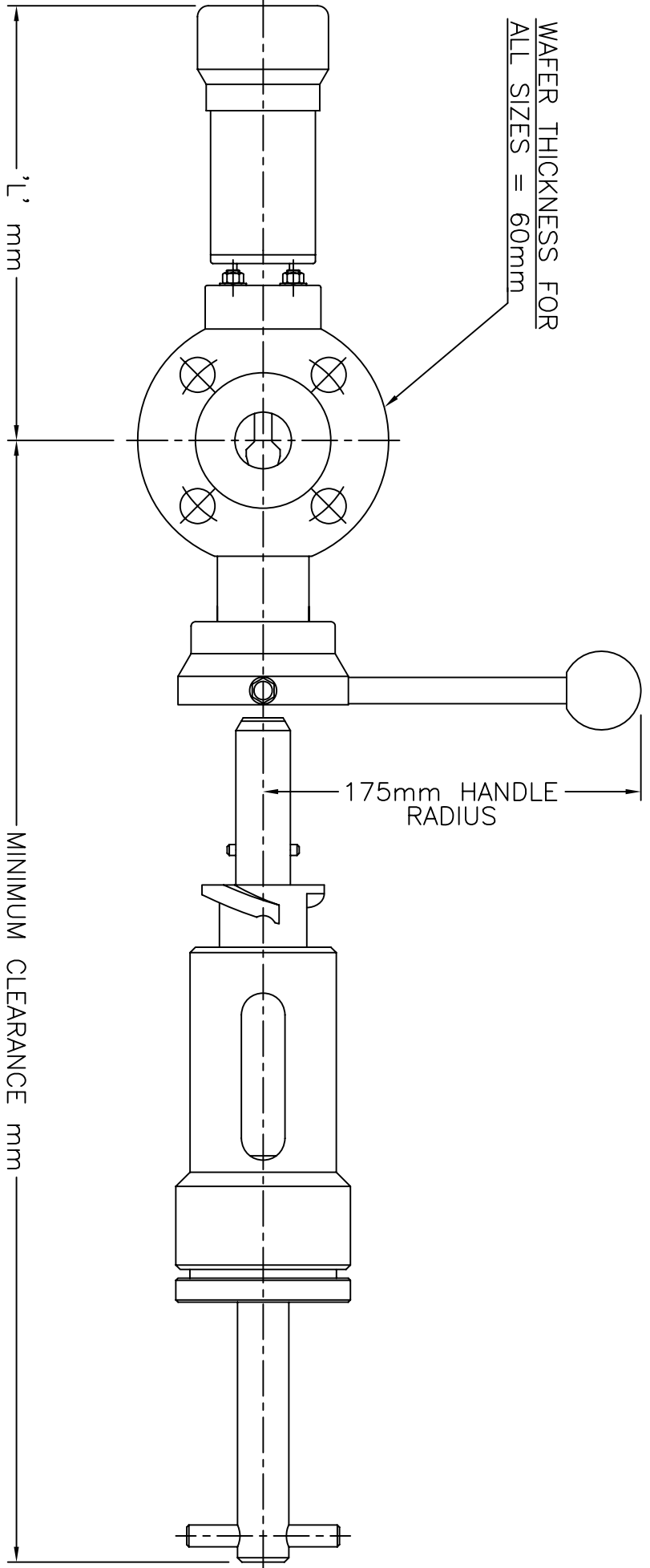
DRAWN	T.B.	MATL
DATE	16.06.95	SPEC'N
SCALE		CKD BY

DIMS mm  
DO NOT SCALE

GENERAL TOLERANCES  
fractional ±0.015 in  
decimal ±0.005 in  
±0.4 mm ±0.1 mm

TITLE	DRAWING NO	ISS
G.A. SD-1L-5/600 WITH 100ml SYRINGE	SD504-00	

WAFER THICKNESS FOR ALL SIZES = 60mm



VALVE SIZE	'L' mm	MIN CLEARANCE mm
6"ASA / DN150	288	580
4"ASA / DN100	259	554
3"ASA / DN80	244	542
2½"ASA / DN65	237	535
2"ASA / DN50	226	529
1½"ASA / DN40	218	524
1"ASA / DN25	200	516