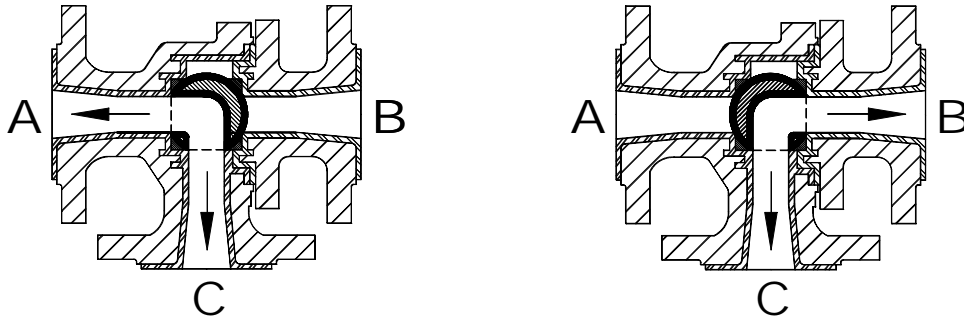


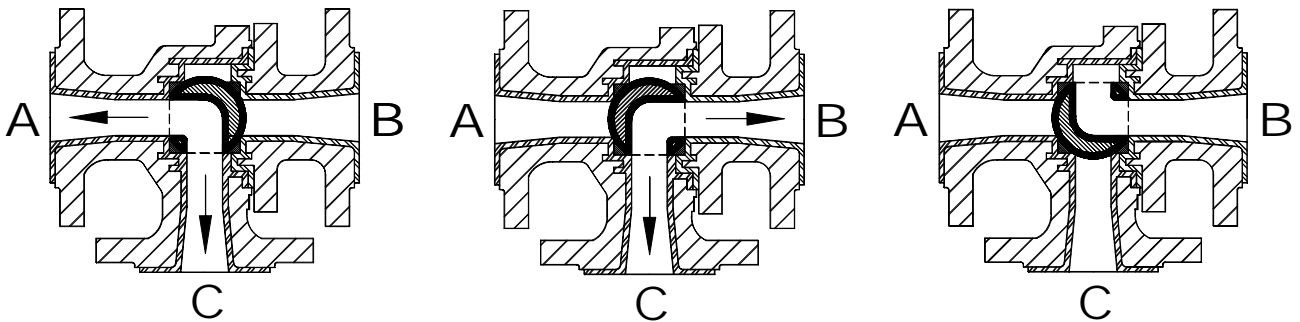
PRODUCT DATA SHEET
 AMP3L & AMP3T 3 WAY LINED BALL VALVE
 PORT CONFIGURATION

ES1072	
Date 6/99	Issue
Sheet 1 of 3	1

AMP3L BALL VALVE



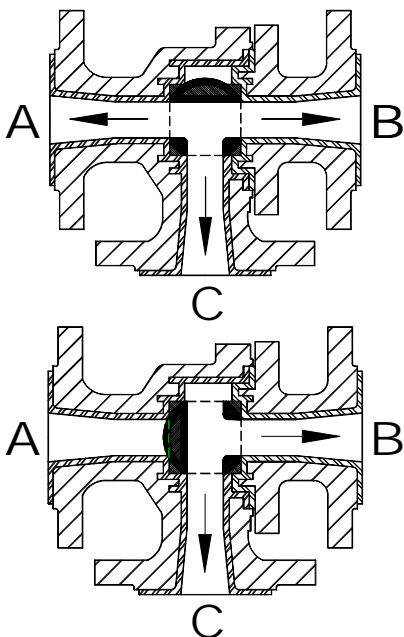
VERSION 1 90°



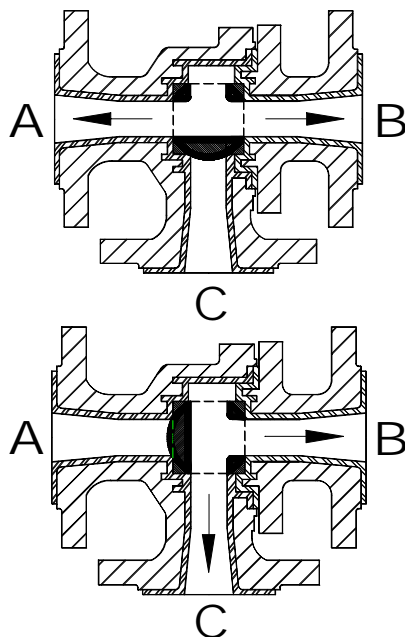
VERSION 1.1 180°

AMP3T BALL VALVE

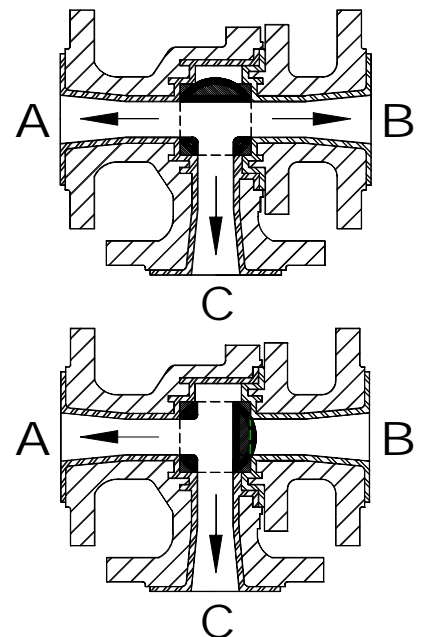
VERSION 2
90° OPERATION



VERSION 3
90° OPERATION



VERSION 4
90° OPERATION



Certificate No...20/92....

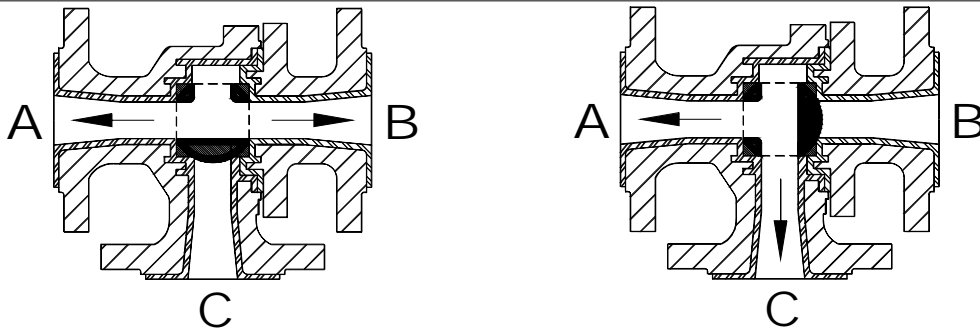
crp CORROSION RESISTANT PRODUCTS

Tel: 01444 870504 Fax: 01444 870516
 e-mail: enquiry @crp.co.uk

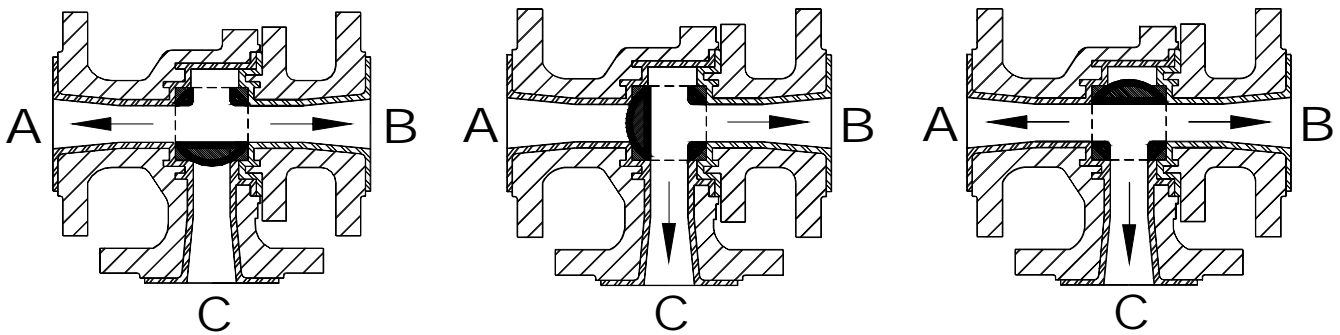
PRODUCT DATA SHEET
 AMP3L & AMP3T 3 WAY LINED BALL VALVE
 PORT CONFIGURATION

ES1072	
Date 6/99	Issue
Sheet 2 of 3	1

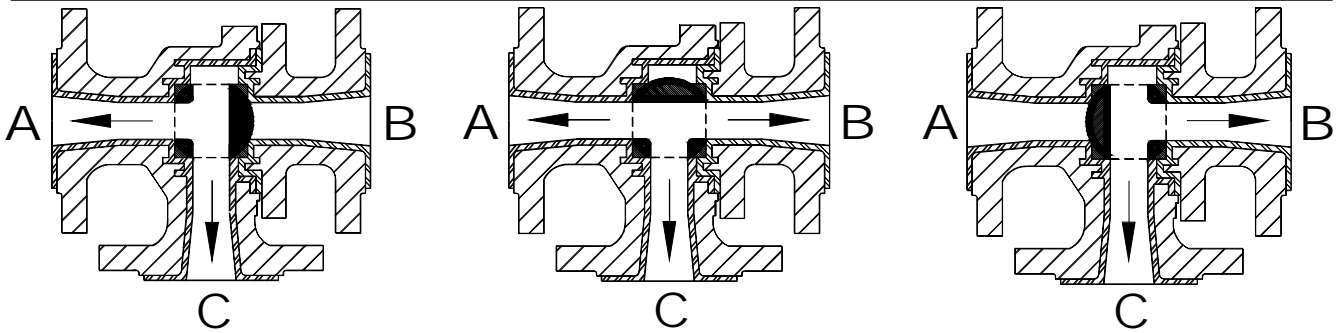
AMP3T BALL VALVE CONTINUED



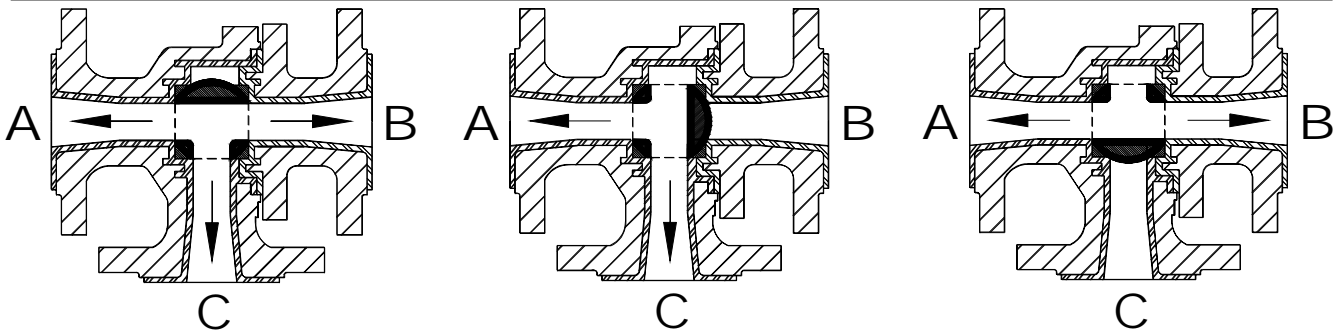
VERSION 5 90° OPERATION



VERSION 6 180° OPERATION



VERSION 7 180° OPERATION



VERSION 8 180° OPERATION



Certificate No...20/92.....

crp CORROSION RESISTANT PRODUCTS

Tel: 01444 870504 Fax: 01444 870516
 e-mail: enquiry @crp.co.uk

**PRODUCT DATA SHEET
AMP3L & AMP3T 3 WAY LINED BALL VALVE
PORT CONFIGURATION**

ES1072	
Date 6/99	Issue
Sheet 3 of 3	1

ORDERING INFORMATION

When specifying these valves please quote the CRP part number. The part numbers are as follows.

Valve with DIN 33202 series F1 face to face dimensions with ASME 150 flange connections.

Valve Type	Port Configuration	FEP LINED PART NO	PFA LINED PART NO.
AMP3L	VERSION 1	9316-11-0000(NB)	9316-21-0000(NB)
AMP3L	VERSION 1.1	9316-11-1800(NB)	9316-21-1800(NB)
AMP3T	VERSION 2	9316-11-0002(NB)	9316-21-0002(NB)
AMP3T	VERSION 3	9316-11-0003(NB)	9316-21-0003(NB)
AMP3T	VERSION 4	9316-11-0004(NB)	9316-21-0004(NB)
AMP3T	VERSION 5	9316-11-0005(NB)	9316-21-0005(NB)
AMP3T	VERSION 6	9316-11-0006(NB)	9316-21-0006(NB)
AMP3T	VERSION 7	9316-11-0007(NB)	9316-21-0007(NB)
AMP3T	VERSION 8	9316-11-0008(NB)	9316-21-0008(NB)

Valve with DIN 33202 series F1 face to face dimensions with DIN 2501 PN10/16 flange connections.

Valve Type	Port Configuration	FEP LINED PART NO	PFA LINED PART NO.
AMP3L	VERSION 1	9316-13-0000(NB)	9316-23-0000(NB)
AMP3L	VERSION 1.1	9316-13-1800(NB)	9316-23-1800(NB)
AMP3T	VERSION 2	9316-13-0002(NB)	9316-23-0002(NB)
AMP3T	VERSION 3	9316-13-0003(NB)	9316-23-0003(NB)
AMP3T	VERSION 4	9316-13-0004(NB)	9316-23-0004(NB)
AMP3T	VERSION 5	9316-13-0005(NB)	9316-23-0005(NB)
AMP3T	VERSION 6	9316-13-0006(NB)	9316-23-0006(NB)
AMP3T	VERSION 7	9316-13-0007(NB)	9316-23-0007(NB)
AMP3T	VERSION 8	9316-13-0008(NB)	9316-23-0008(NB)

The size of valve (NB) can be derived as follows.

NB Look-Up Table

Metric NB	25	40	50	80
Imperial NB	1"	1.1/2"	2"	3"
CRP NB Code	10	15	20	30



Certificate No...2092.....

crp CORROSION RESISTANT PRODUCTS

Tel: 01444 870504 Fax: 01444 870516
e-mail: enquiry @crp.co.uk